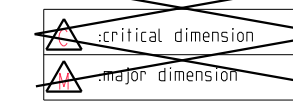


D.1: D développement



FIXING PLATE SIZE	DIMENSIONS IN INCHES						TAILLE CONTRE PLAQUE	DIMENSIONS EN MILLIMETRES						MASSE WEIGHT in grams	MIL-DTL-26482		MIL-DTL-38999			EN 2997
	A ±.012	B ±.002	ØC ±.012	ØD +.008 / -.004	ØH UNJC	G ±.008		A±0.3	B±0.05	ØC±0.3	ØD +0.2 / -0.1	ØH UNJC	G±0.2		851/852	Serie I 8LTS	Serie II 8T	Serie III 8D	OUT	IN
08	.886	.594	.567	1.122	4-40	.154	08	22.50	15.10	14.40	28.5	4-40	3.91	0.80	8	--	8	--	9	8
10	1	.720	.724	1.307	4-40	.209	10	25.40	18.30	18.40	33.2	4-40	5.30	0.87	10	9	10	9	11	10
12	1.094	.811	.874	1.429	4-40	.263	12	27.80	20.60	22.20	36.3	4-40	6.68	0.88	12	11	12	11	13	12
14	1.189	.906	1	1.559	4-40	.310	14	30.20	23.00	25.40	39.6	4-40	7.88	0.91	14	13	14	13	15	14
16	1.201	.969	1.087	1.654	4-40	.342	16	30.50	24.60	27.60	42	4-40	8.68	0.96	16	15	16	15	17	16
18	1.406	1.063	1.224	1.783	4-40	.388	18	35.70	27.00	31.10	45.3	4-40	9.85	1.06	18	17	18	17	19	18
20	1.535	1.157	1.358	1.933	4-40	.406	20	39	29.40	34.50	49.1	4-40	10.31	1.15	20	19	20	19	21	20
22	1.665	1.250	1.488	2.091	4-40	.453	22	42.30	31.75	37.80	53.1	4-40	11.50	1.26	22	21	22	21	23	22
24	1.791	1.374	1.614	2.256	6-32	.500	24	45.50	34.90	41.00	57.3	6-32	12.70	1.41	24	23	24	23	25	24

100% sorting of extruded screws/  
Tri a 100% des vis extrudees

Tested to calibres/Testées aux calibres:  
Mounting/ montage:  
-Free/Libre (1)  
-Locking but mounted/Freine mais monte (2)  
-Blocked/Bloque (3)

Screws retained for torque control/  
Vis gardees pour controle de couple: 2

Screws 1 and 3 rejected/  
Vis 1 et 3 rejetees

- Tightening torque according to screw:	Tightening torque
Screw steel cadmium yellow Reference NAS 1100-04-6	<b>0.13 mN ≤ C ≤ 0.31 mN</b>
Stainless steel screw NAS 1100E 04.06	<b>0.17 mN ≤ C ≤ 0.42 mN</b>

- Couple de vissage suivant vis :	Couple vissage
Vis acier cadmie jaune Reference NAS 1100-04-6	0.13 mN ≤ C ≤ 0.31 mN
Vis INOX NAS 1100E 04.06	0.17 mN ≤ C ≤ 0.42 mN

Material/ Materiaux : Fixing-plate= aluminium alloy  
Contre-plaque = Alliage d'aluminium

Nut = stainless steel  
Ecroû = Acier inox

Protection : Fixing-plate Alodine 1200  
Contre-plaque en Alodine 1200

Self-locking nut conform to MIL N 45938  
Ecroû autofreine conforme a la norme MIL N 45938

CUSTOMER DRAWING/ PLAN CLIENT

Country	Jurisdiction & Control List
FR	NOT LISTED

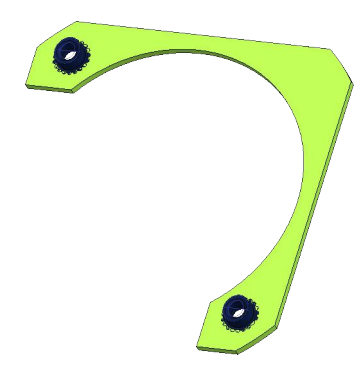
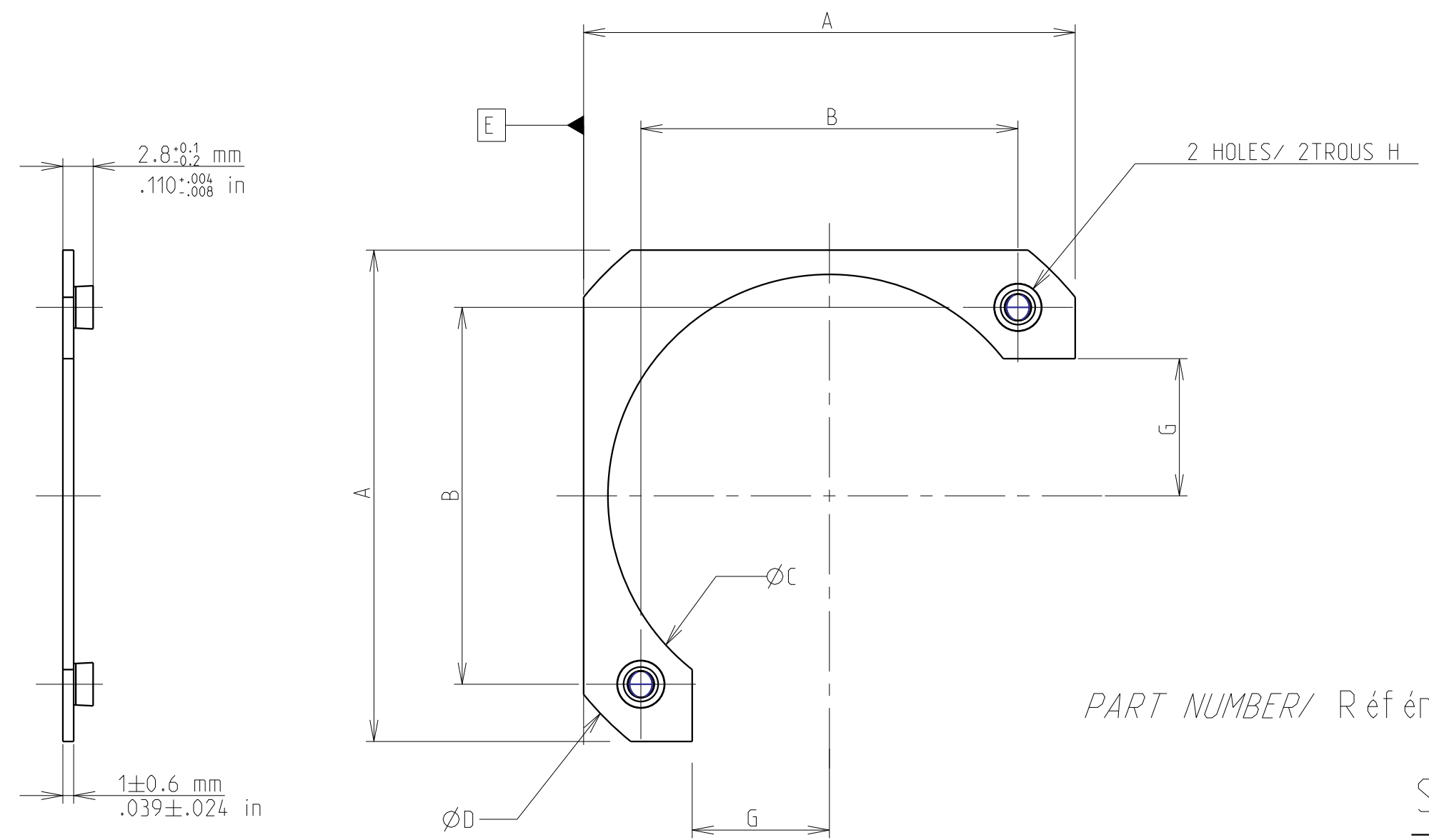
d	Date	Description	Author	Checked	Reference
d	20/02/17	Plan refait FRA/UK	C.PHILIPPE	P.GERARD	DE-2017 0057
c	15/02/13	Mise à jour de cotes: 2.8 devient 2.8+0.1/-0.2 et 1 devient 1±0.06. Suivant DE13/098	R.JALET	P.GERARD	10471
b	20/02/13	Plan refait sur PRO/Engineer ajout contrôle de tenue du couple de l'écrou Suivant DE12/454	R.JALET	P.GERARD	10448
a	07/11/05	First issue/ création du plan	Kirstetter	P.GERARD	

MATERIAL	TREATMENT	PROTECTION/PLATING
--	--	CODE --

TITLE	PROJECT
Contre-plaque de fixation auto-freinée et allégée Self-locking light fixing-plate	SN1862

Material Reference	SOURIAU	
SN1862-2-XX-VA	3. RUE DU VALLON ZAC N°2 94440 MAROLLES-EN-BRIE (FRANCE) TEL. 33 (0)1 45 10 78 00	

FORMAT	SOURIAU DRG N°	Iss	SHEET
A2	C2-SN1862-2-XX-VA	d	1/1



ECHELLE 1/1

PART NUMBER/ Référence commerciale:

SN1862-2-xx-VA

Basic Serie/Série  
Number of nut/Nombre d'écrous  
Size/Taille du boîtier  
V: Thread/Filetage : 4.40 UNJC-3B  
Stainless steel nut/Ecroû Inox

