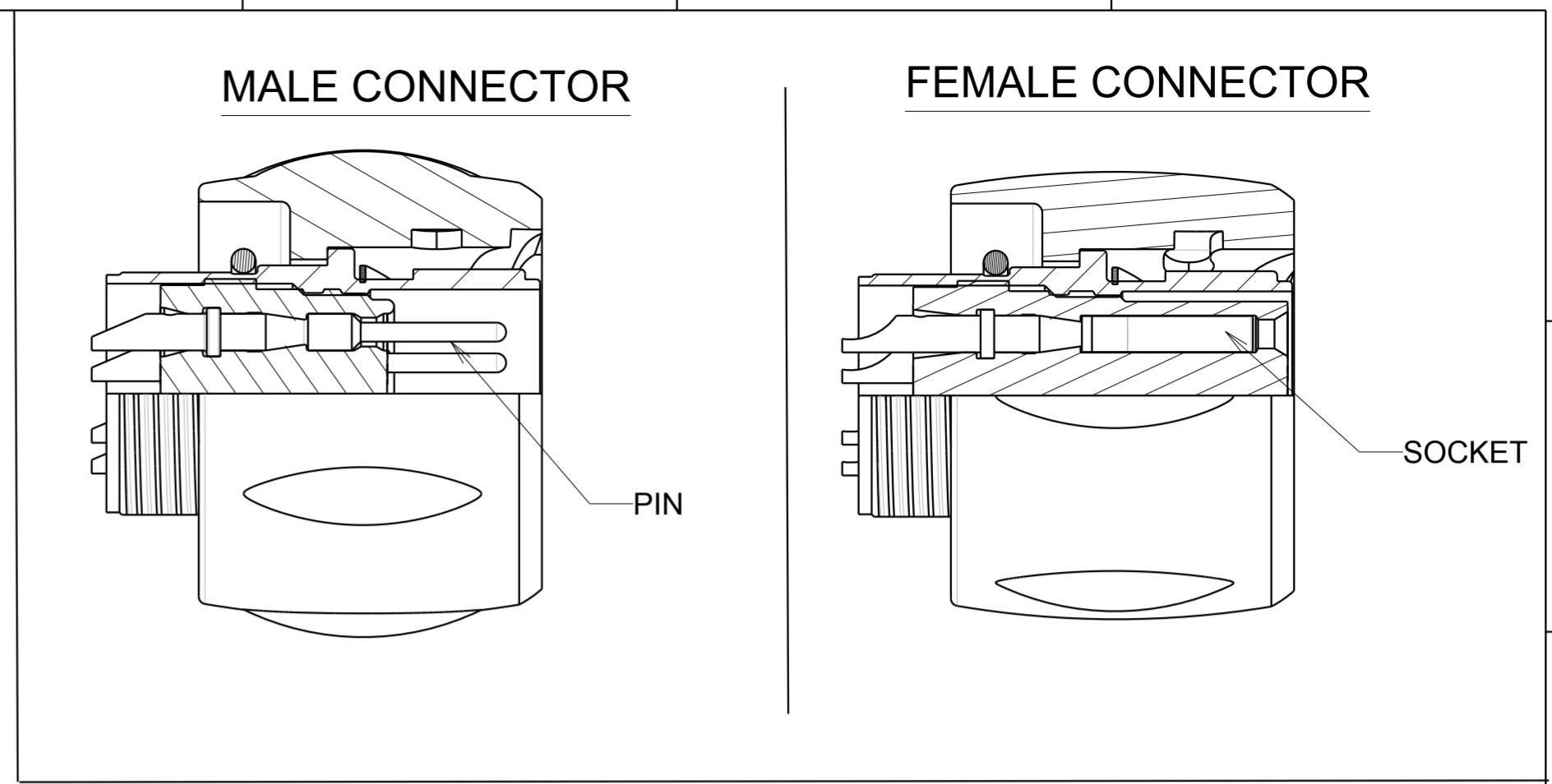
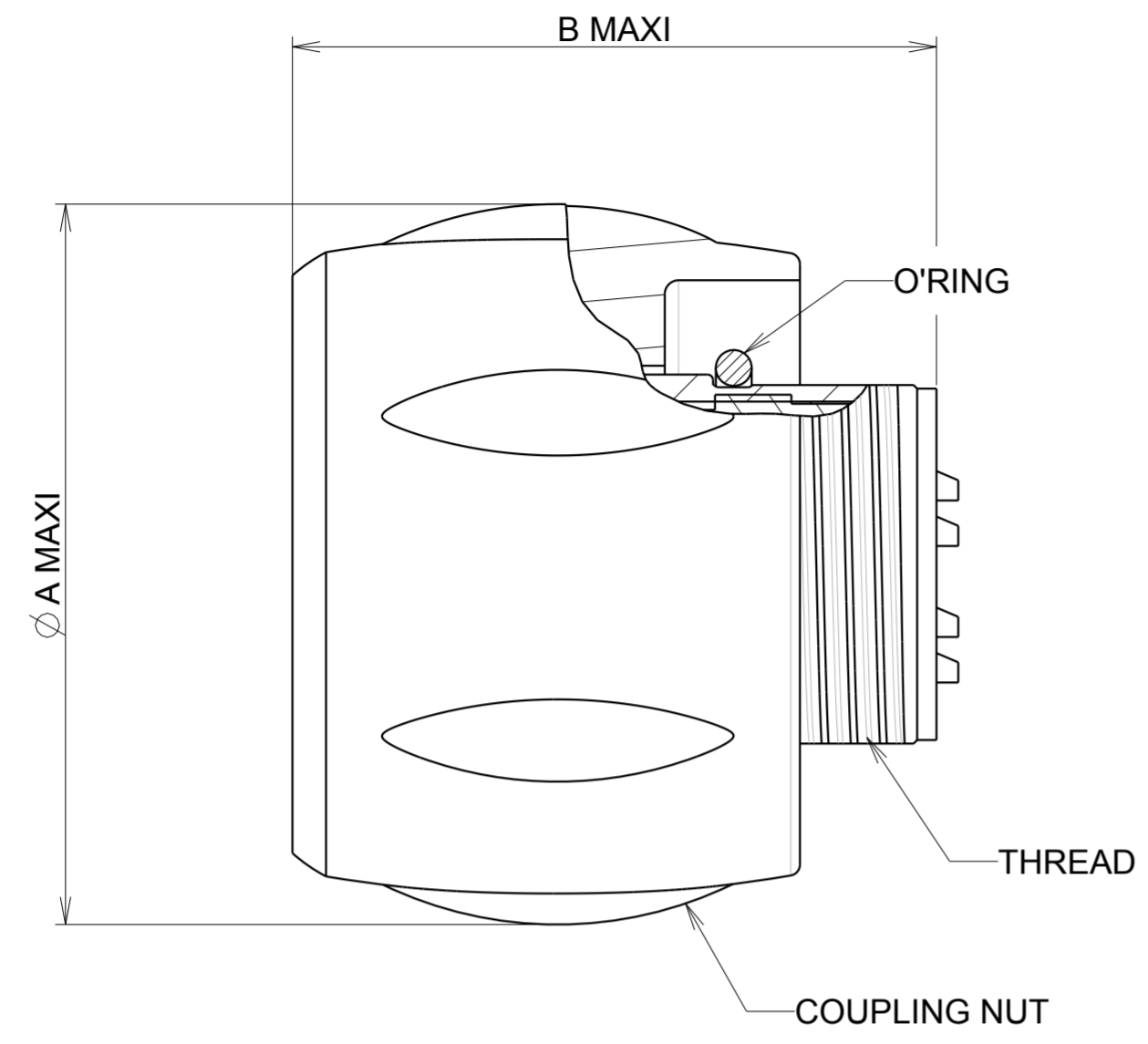
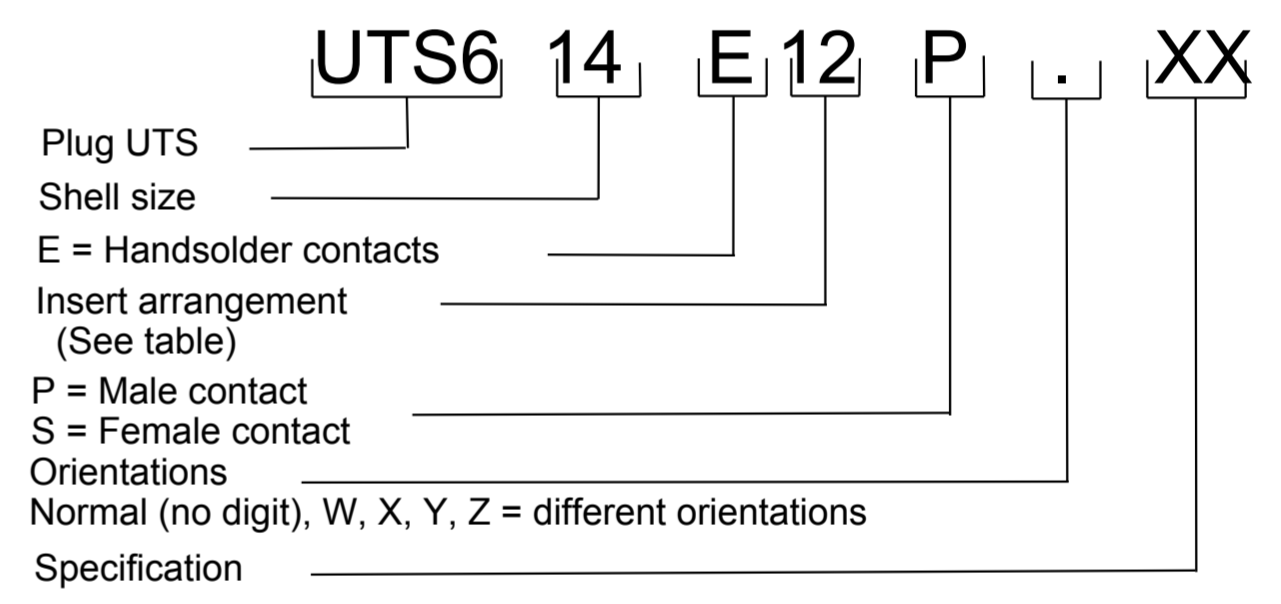


e : 0 : RL



SHELL SIZE	Ø A MAXI	B MAXI	THREAD
08	22.50	21.30	7/16 28 UNEF CLASS 2A
10	26.70	23.60	9/16 24 UNEF CLASS 2A
12	30.15	23.60	11/16 24 UNEF CLASS 2A
14	35.10	23.60	13/16 20 UNEF CLASS 2A



MATERIAL :
 Coupling Nut: Polyamid UL94 V-0
 Insert: Polychloropren (CR)
 Shell : Polyamid UL94 V-0
 Coupling spring : Stainless steel
 O'seal : Nitril
 Contact : brass + gold plated

PERFORMANCE CHARACTERISTICS :
 Operating temperature: -40°C up to 105°C
 Insulation resistance: 5000 MΩ min
 Test potential: 2000 Vrms for #16 layout and 1500Vrms for #20 layout
 Corrosion salt spray: 500 hours
 Durability: 250 matings and unmatings
 Sealing in mated and unmated conditions:
 -IP68 1 bar during 1 week : immersion under 10 m of water. (IEC 60529)
 -IP69K : exposure to high pressure water of cleaning equipement (DIN 40050)

NOTE :
 Insert arrangements: refer to C144-UTS1-A

CUSTOMER DRAWING

e	24/01/12	Update orientation view face		--
ISS	DATE	Latest modification - by: SORIN V.		MOD N°
Designed by: SORIN V.		Date: 30/06/08	CUSTOMER DRAWING	
TITLE		PLUG WITHOUT BACKSHELL UTS HI SEAL		
Scale	2/1	General linear Tolerances: ± 0.5	NPRDS / PROJECT UTS	
		WWW.SOURIAU.COM		This document is the property of SOURIAU. It must not be reproduced or communicated without permission.
FORMAT	A2	SOURIAU DRG N° C057-UTS1-A		SHEET 1/1

NOT EXPORT CONTROLLED