

**MATERIAL :**

Shell: Polyamid UL94 V-0  
 Insert: Polyamid UL94 V-0  
 Seal gasket : Sealing IP68/69K : Silicone  
 O'ring: nitril  
 Nut: Aluminium alloy black anodized  
 Backshell body : Polyamid UL94 V-0  
 Backshell nut: Polyamid UL94 V-0  
 O'seal : Nitril

**PERFORMANCE CHARACTERISTICS :**

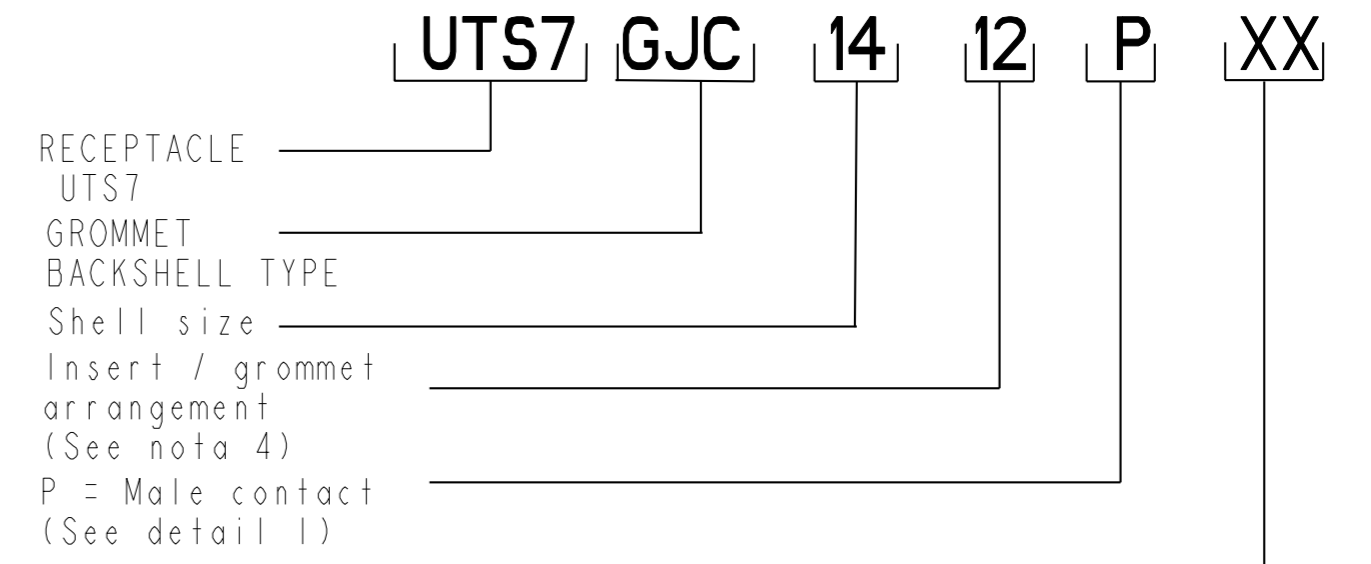
Operating temperature: -40°C up to 105°C  
 Insulation resistance: 5000 MΩmin  
 Test potential: 2000 Vrms for #16 layout and 1500Vrms for #20 layout  
 Corrosion salt spray: 500 hours  
 Durability: 250 matings and unmatings  
 Sealing in mated conditions:  
 -IP68 1 bar during 1 week : immersion under 10 m of water. (IEC 60529)  
 -IP69K : exposure to high pressure water of cleaning equipment (DIN 40050)

**NOTES :**

- 1- Receptacle, backshell and the reducing seal are delivered as a kit. The backshell already includes the standard seal.
- 2- Contact to be ordered separately : refer to TRIM TRIO catalog
- 3- Colored ring to be ordered separately refer to customer drawing C006-UTSI-A
- 4- developed Grommet arrangements : refer to C042-UTSI-A
- 5- for wiring instructions, refer to BT214

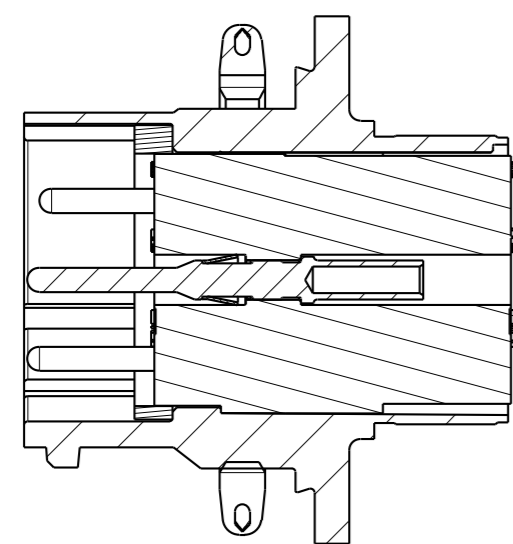
COUPE A-A  
 ECHELLE 3/1

CUT PANEL

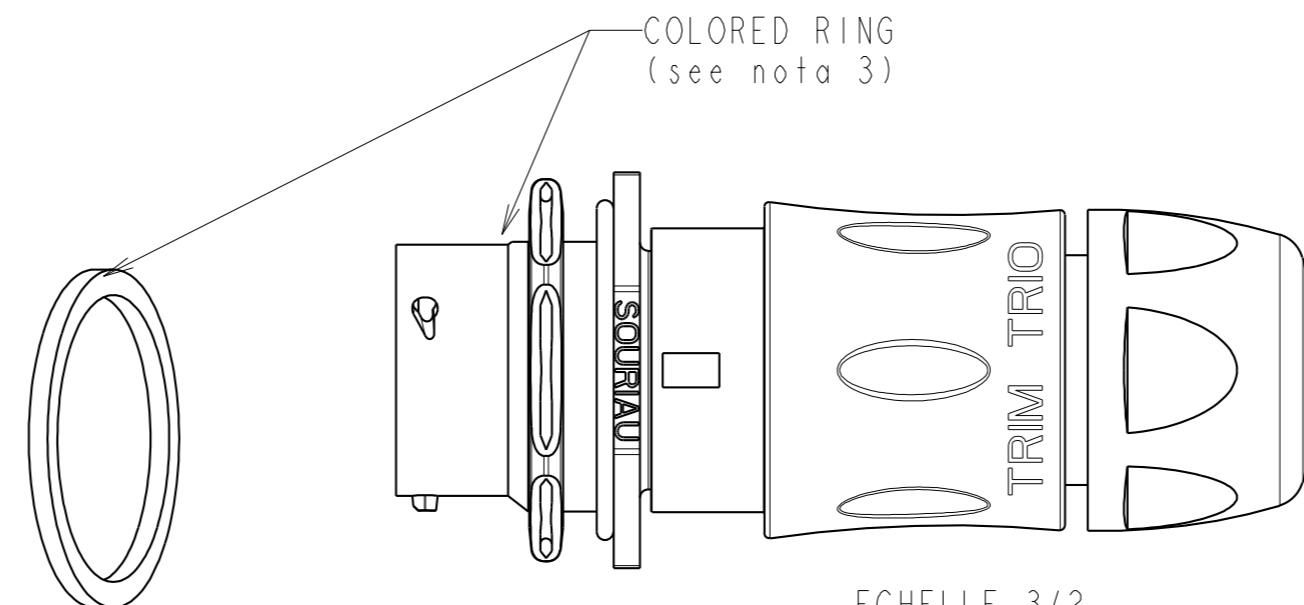


SHELL SIZE	LAYOUT	THREAD I	ØA±0.15	B±0.2	C MINI.	D MAX.	E±0.25	F±0.3	G±0.20	ØH±0.2	CAPACITY C		E MAX
											STANDARD SEAL	REDUCING SEAL	
14	SEE NOTE 4	1"20 UNEF CLASS 2A	22.20	19.30	80.5	3.20	34.90	30.20	24.30	25.70	7 / 14	5 / 12	37.6
12	SEE NOTE 4	7/8 20 UNEF CLASS 2A	19.00	19.30	74.50	3.20	31.80	27.00	21.20	22.50	5 / 12	3 / 9	33.5
10	SEE NOTE 4	11/16 24 UNEF CLASS 2A	14.90	19.30	70.75	3.20	27.00	22.20	16.50	17.70	2.5 / 8	1.5 / 5	30

**MALE CONNECTOR**  
 (detail 1)



COLORED RING  
 (see nota 3)



ECHELLE 3/2

ECHELLE 3/2

CUSTOMER DRAWING

c	05/02/08	--	Add shell size 12 and 14	--
ISS	DATE	Latest modification - by: RAGAINÉ M.		MOD N°
Designed by:		RAGAINÉ M.	Date: 31/05/07	CUSTOMER DRAWING
TITLE		JAM NUT RECEPTACLE+GROMMET BACKSHELL UTS CONNECTOR		
Scale	2/1	General linear Tolerances: ±0.2	NPRDS / PROJECT UTSI	
		WWW.SOURIAU.COM		This document is the property of SOURIAU. It must not be reproduced or communicated without permission.
FORMAT	A2	SOURIAU DRG N° C026-UTSI-A		SHEET

NOT EXPORT CONTROLLED