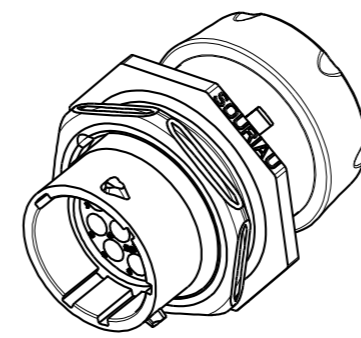
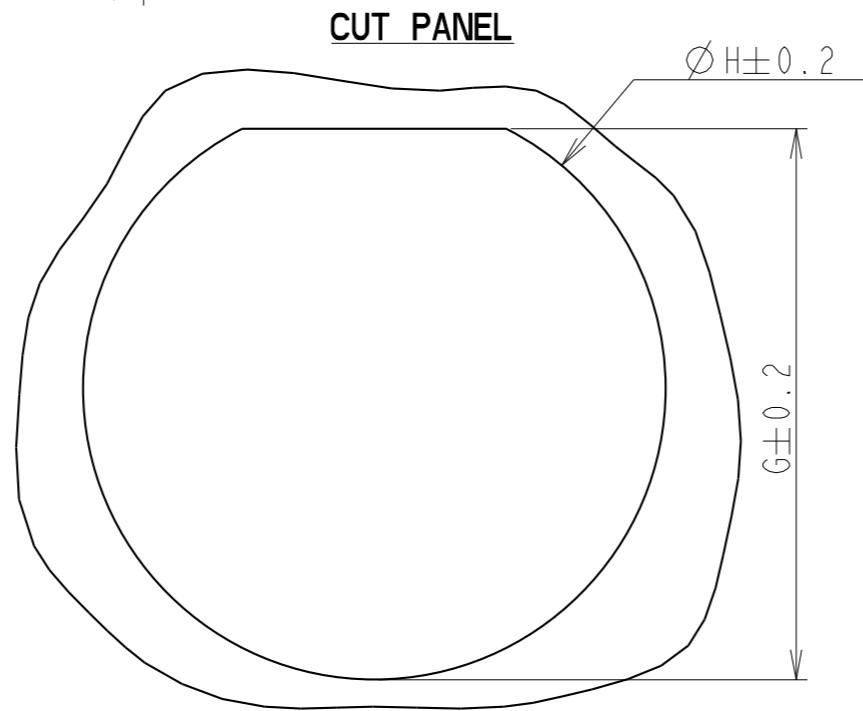
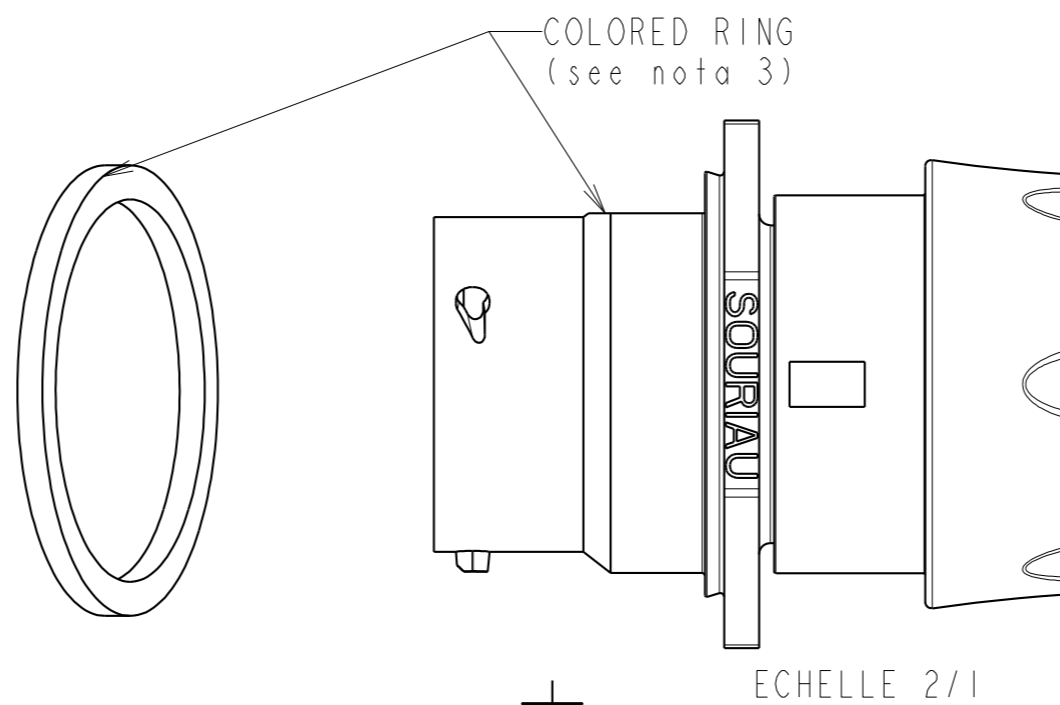
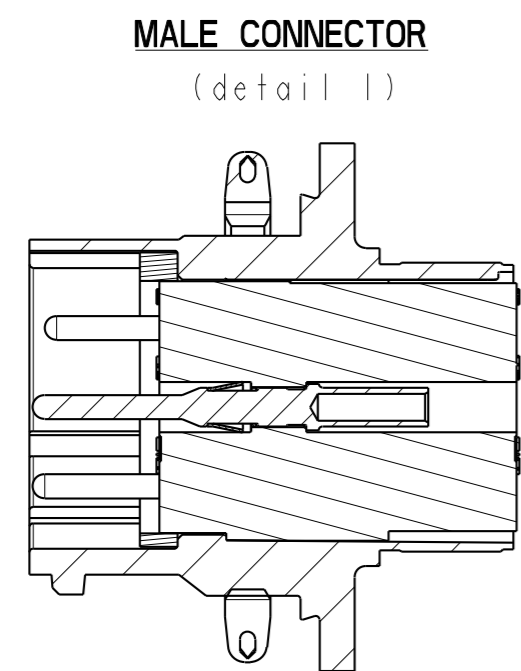


COUPE A-A
ECHELLE 3/1



SHELL SIZE	LAYOUT	THREAD 1	ØA±0.15	B±0.2	C MIN.	D MAX.	E±0.25	F±0.3	G±0.20	ØH±0.2	ØJ±0.2
14	See note 4	1"20 UNEF CLASS 2A	22.20	19.30	43	3.20	34.90	30.20	24.30	25.70	29.8
12	See note 4	7/8 20 UNEF CLASS 2A	19	19.3	40.75	3.20	31.80	27.00	21.20	22.50	25.4
10	See note 4	11/16 24 UNEF CLASS 2A	14.9	19.3	41	3.20	27.00	22.2	16.5	17.70	22



MATERIAL :

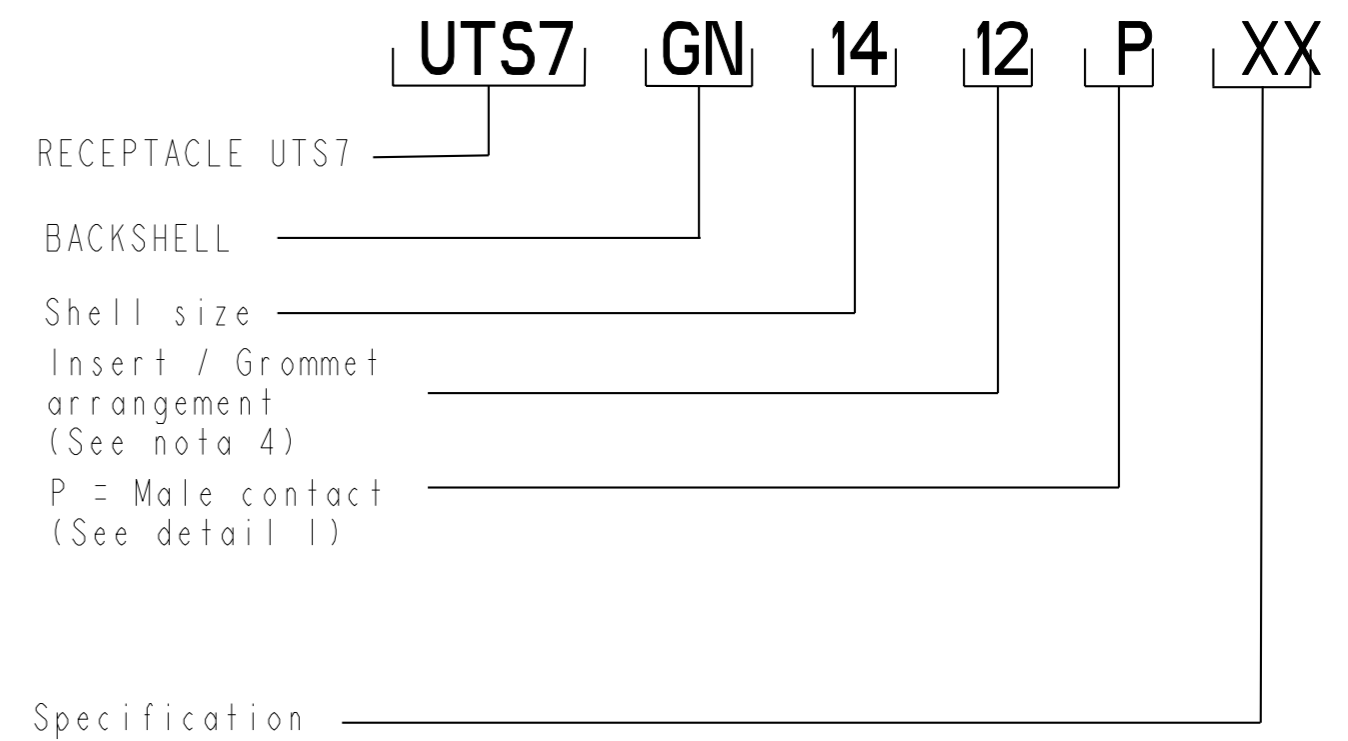
Shell: Polyamid UL94 V-0
 Insert: Polyamid UL94 V-0
 Seal gasket : Sealing IP68/69K : Silicone
 O'ring: nitril
 Nut: Aluminium alloy black anodized
 Backshell body : Polyamid UL94 V-0
 Backshell nut: Polyamid UL94 V-0
 O'seal : Nitril

PERFORMANCE CHARACTERISTICS :

Operating temperature: -40°C up to 105°C
 Insulation resistance: 5000 MΩmin
 Test potential: 2000 Vrms for #16 layout and 1500Vrms for #20 layout
 Corrosion salt spray: 500 hours
 Durability: 250 matings and unmatings
 Sealing in mated conditions:
 -IP68 1 bar during 1 week : immersion under 10 m of water. (IEC 60529)
 -IP69K : exposure to high pressure water of cleaning equipment (DIN 40050)

NOTES :

- 1- Receptacle, backshell and the reducing seal are delivered as a kit. The backshell already includes the standard seal.
- 2- Contact to be ordered separately : refer to TRIM TRIO catalog
- 3- Colored ring to be ordered separately refer to customer drawing C006-UTSI-A
- 4- developed Grommet arrangements : refer to C042-UTSI-A
- 5- for wiring instructions, refer to BT214



CUSTOMER DRAWING

c	05/02/08	--	Add shell size 14 and 12	--
ISS	DATE	Latest modification - by: RAGAINEM.		MOD N°
Designed by: RAGAINEM.		Date: 31/05/07	CUSTOMER DRAWING	
TITLE		JAM NUT RECEPTACLE + BACKSHELL NUT UTS CONNECTOR		
Scale	2/1	General linear Tolerances: ±0.1	NPRDS / PROJECT UTSI	
		WWW.SOURIAU.COM		This document is the property of SOURIAU. It must not be reproduced or communicated without permission.
FORMAT	A2	SOURIAU DRG N° C025-UTSI-A		SHEET

NOT EXPORT CONTROLLED