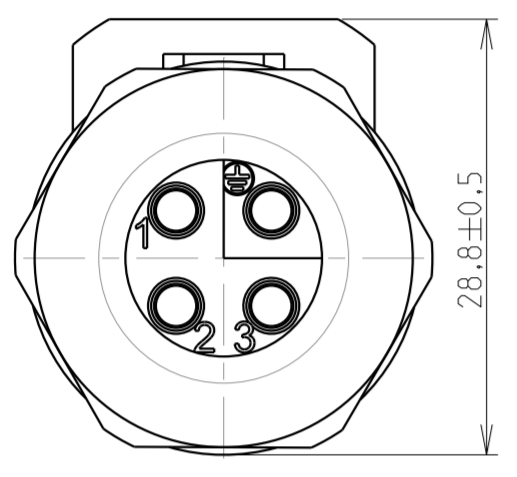
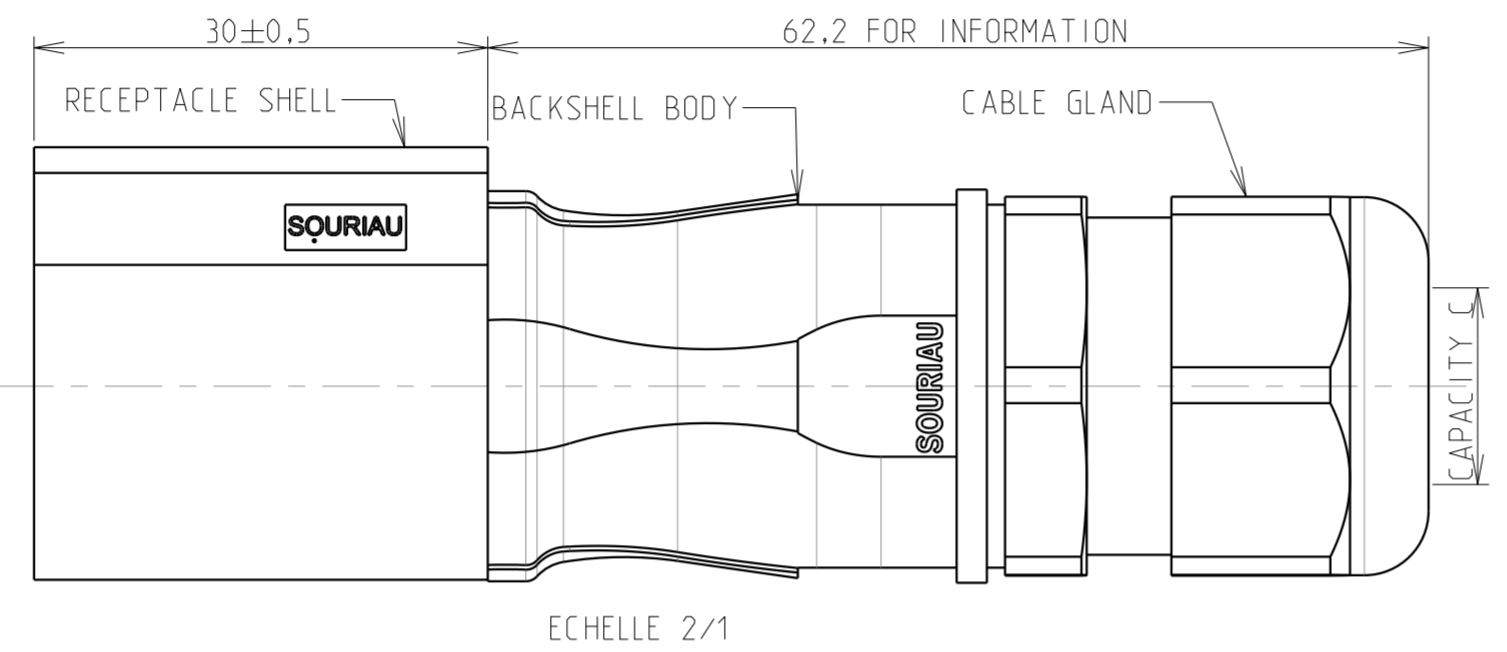
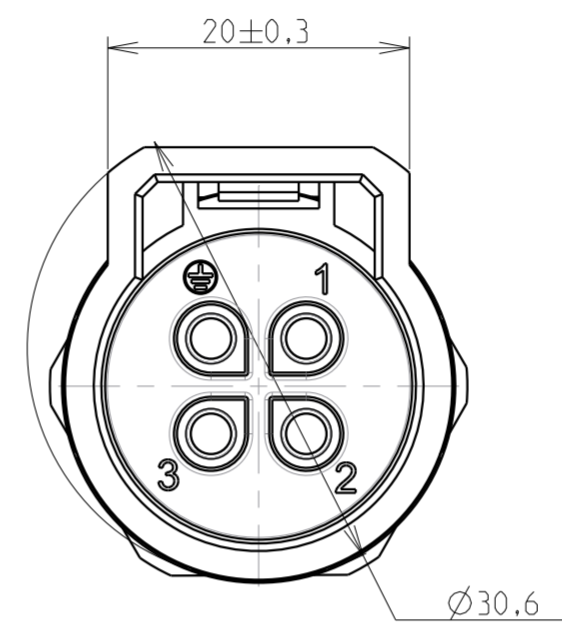


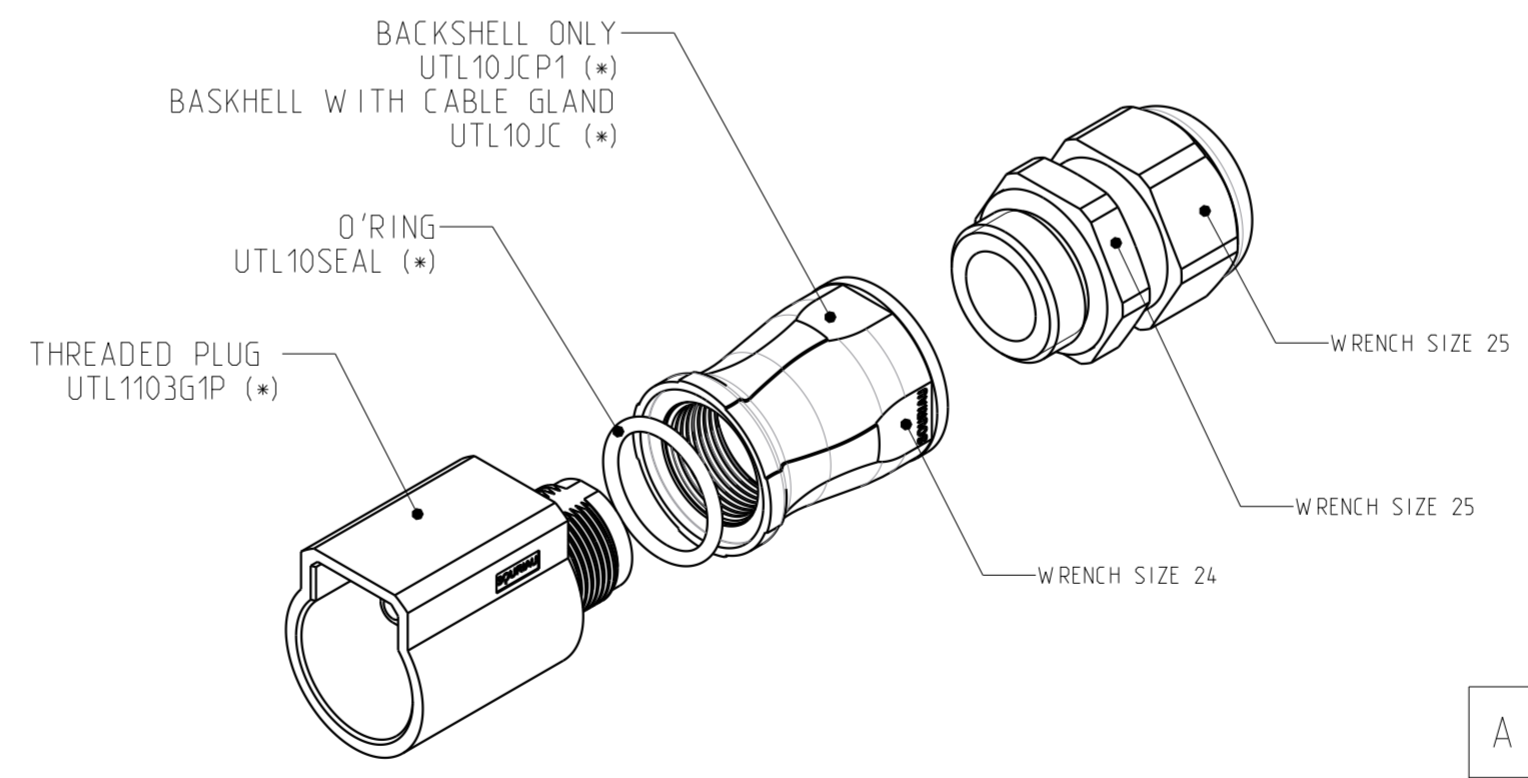
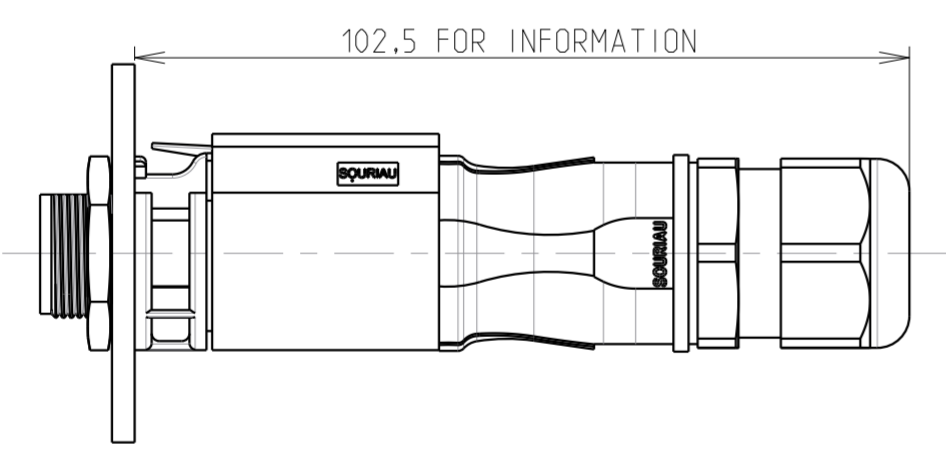
**WIRING FACE**



**MATING FACE**



**VIEW IN MOUNTED AND MATED CONDITIONS**



**NOTES**

<b>MATERIALS</b>	SHELL O-RING BACKSHELL BODY CABLE GLAND	BLACK POLYAMID NBR BLACK POLYAMID BLACK POLYAMID + NBR
<b>PERFORMANCES CHARACTERISTICS</b>		
<b>MECHANICAL</b>		
TEMPERATURE CLASS	IEC61984/UL1977	-40°C TO 105°C
DURABILITY	IEC61984	500 MATE / UNMATE CYCLES
SEALING IN MATED CONDITIONS	IEC60529 DIN40050	IP68 1BAR DURING 1WEEK IP69K
SEALING IN UNMATED CONDITIONS	IEC60529	IP67 WITH CAPS
OPEN FACE SEALING	IEC60529	IP67 WITH R*M25* CONTACTS
POLLUTION DEGREE	IEC61984	4
CORROSION SALT SPRAY		MIN 1000H
FLAMMABILITY	UL94	MATERIAL RATING: 5VA
OUTDOOR SUITABILITY (UV RESIST)	UL746C	MATERIAL RATING: (f1)
SCOOP PROOF		
<b>ELECTRICAL</b>		
TOUCH PROOF	IEC60529	IP2X
NOMINAL CURRENT	UL1977	16A WITH AWG14 WIRE / 13A WITH AWG16 WIRE
NOMINAL CURRENT	IEC61984	16A WITH 2.5MM² WIRE / 13A WITH 1.5MM² WIRE AT 60°C
NOMINAL VOLTAGE	UL1977	600V
NOMINAL VOLTAGE	IEC61984 IEC61984	250VAC 4KV 4 FOR CLASS II 500VAC 6KV 4 FOR CLASS I
CONNECTOR BREAKING CAPACITY	UL1977 IEC61984	277V 13A WITH AWG14/16 WIRES 250VAC 13A 4KV 4
<b>ROHS COMPLIANT</b>		
1. COUNTERPART REFERENCE UTL PLUG 2. CONNECTORS ARE DELIVERED AS PRE-ASSEMBLED KIT 3. CONNECTOR BLOCKS ACCEPTS TRIM TRIO CONTACTS #16, R*M* OR S*M* TYPES 4. CONTACTS TO BE ORDERED SEPARATELY. 5. WARNING: PHASE CONTACTS ARE MALE VERSION AND GROUND CONTACT IS FEMALE VERSION 6. UNIT IN MM 7. MAX WIRE INSULATOR DIAMETER : Ø3.7mm 8. (*): OPTIONAL ORDERING PART NUMBERS TO BE ORDERED SEPARATELY 9. CAPACITY C : Ø6.5 / Ø12		

Country	Jurisdiction & Control List
FR	NOT LISTED

P/N : UTL1JC 103G1P

A	12/02/18	Creation	
ISS	DATE	Latest modification - by:	MOD N°
	Designed by: R.M.	Date: 12/02/18	CUSTOMER DRAWING
TITLE		FREE HANGING WITH THREADED BACKSHELL SIZE 10 UTL CONNECTOR	
Scale	1/1	General linear Tolerances: ± 0.2	NPRDS / PROJECT BE170912A
SOURIAU		WWW.SOURIAU.COM	
This document is the property of SOURIAU. It must not be reproduced or communicated without permission.			
FORMAT	A2	SOURIAU DRG N° UTL1-0101A-C	SHEET 1 / 1

SOURIAU shall not be liable for any non-conformity or damage due to a use of the Products which does not comply with the Specifications issued by either of the Parties or by a third party (professional recommendation, technical notice.)