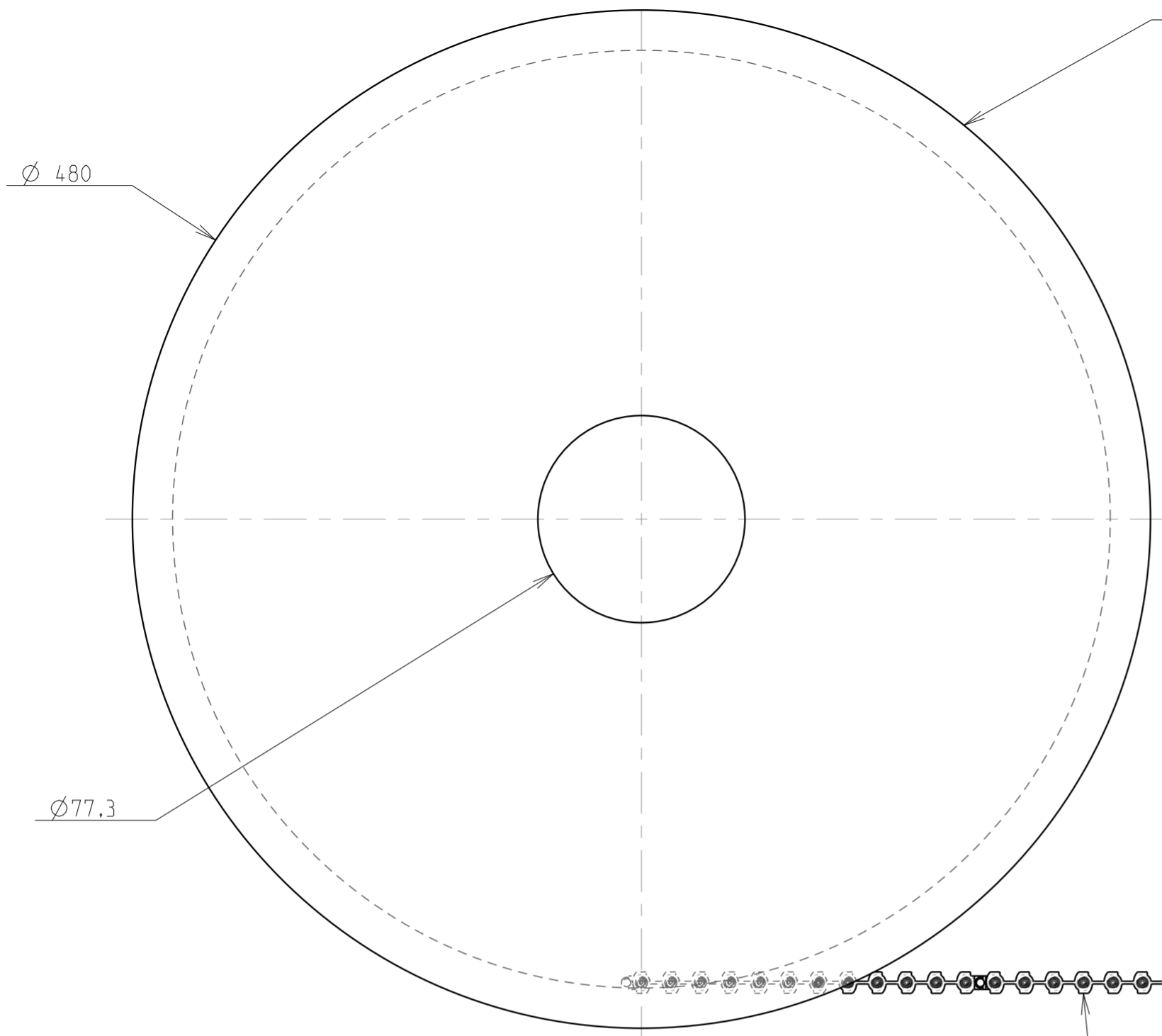
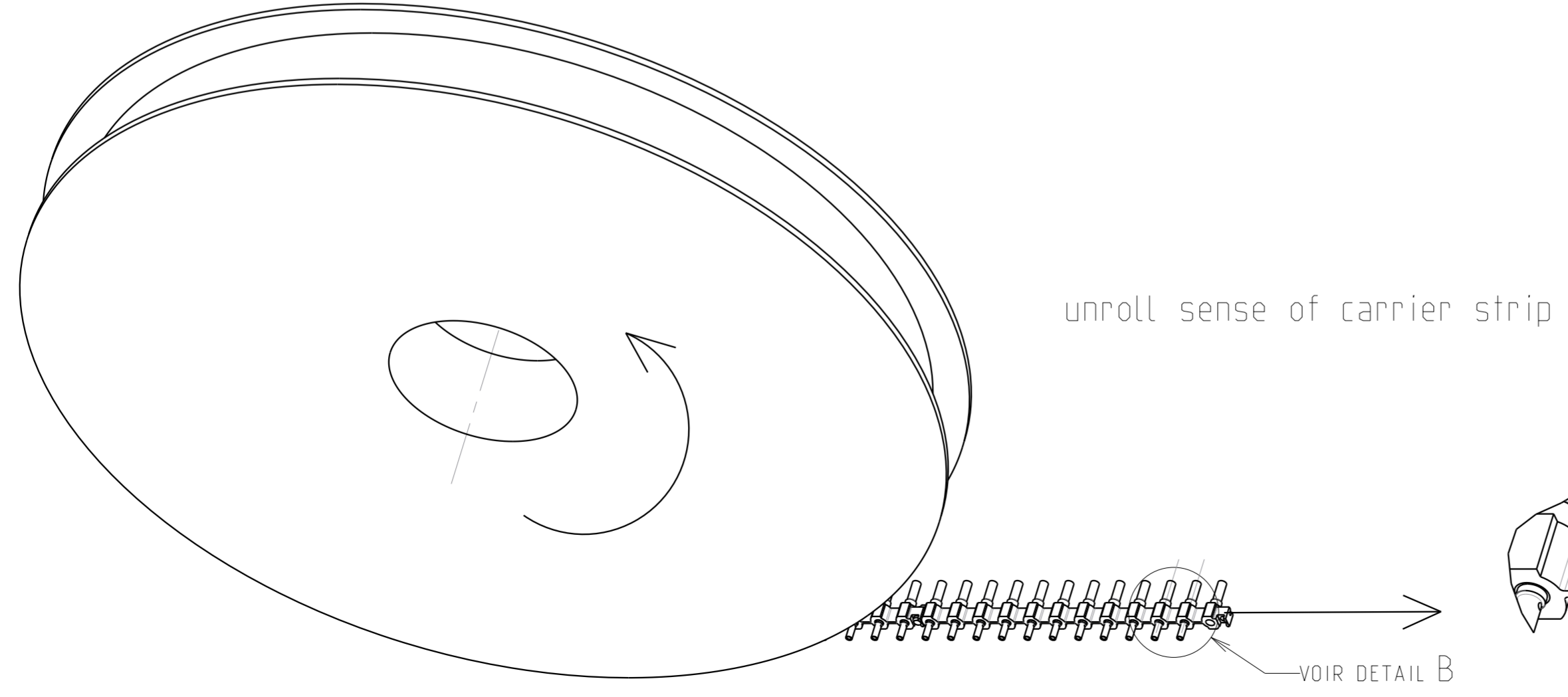
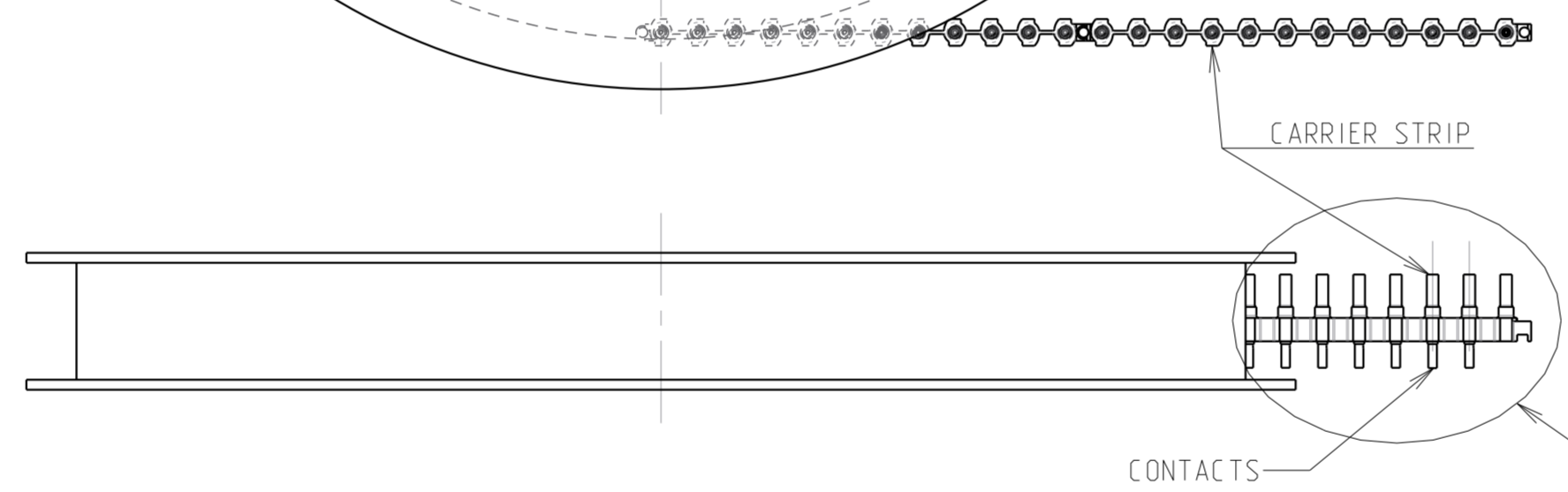
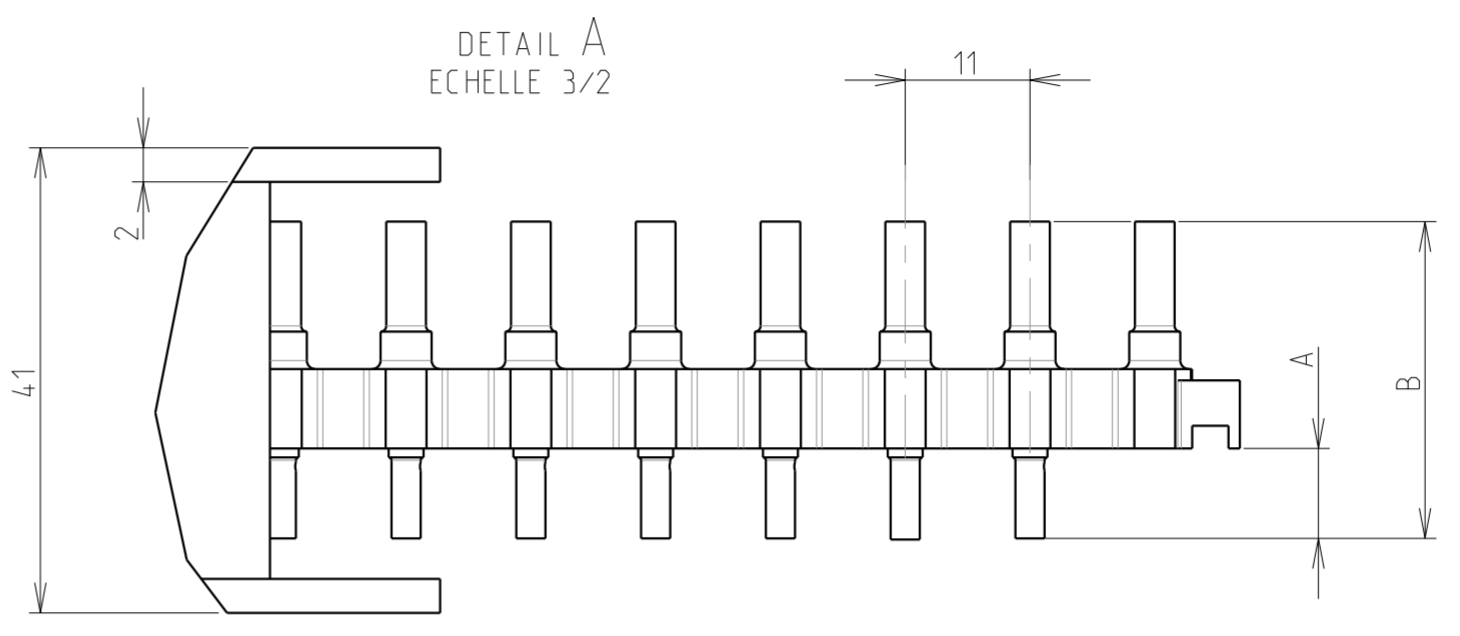


C.3: Validé



CHARACTERISTICS :  
 MATERIAL: - REEL : CARDBOARD  
 - CARRIER STRIP : WHITE PLASTIC  
 NUMBER OF CONTACTS ON REEL = 2000



Part Number	Gender	A	B
KRM--M--*	Male contacts	8 <sup>+0.5</sup> <sub>-0</sub>	27.95 <sup>+0.55</sup> <sub>-0</sub>
KRC--M--*	Female contacts	8 <sup>+0</sup> <sub>-0.2</sub>	27.75 <sup>+0.30</sup> <sub>-0</sub>
KRC--M--GE1*		9.5 <sup>+0</sup> <sub>-0.2</sub>	29.25 <sup>+0.30</sup> <sub>-0</sub>

Part Number	Gender
KRC16M23*	Female contacts
KRC16M23GE1*	
KRC20M12*	
KRC20M12GE1*	
KRC20M13*	
KRC20M13GE1*	
KRC24M9*	
KRC24M9GE1*	
KRC28M1*	
KRC28M1GE1*	
KRC16M25*	
KRC14M30*	
KRC14M30GE1*	
KRC14M50*	
KRC14M50GE1*	
KRM16M23*	Male contacts
KRM20M13*	
KRM20M12*	
KRM24M9*	
KRM28M1*	
KRM16M25*	
KRM16M26*	
KRM14M30*	
KRM14M50*	

\* Plating :  
 J = Gold Flash over Nickel  
 K = 0.4 μ Gold over Nickel  
 N = 0.75 μ Gold over Nickel  
 L = 1.10 μ Gold over Nickel  
 M = 1.75 μ Gold over Nickel  
 T = 3 - 5 μ Tin over Nickel  
 D70 = Gold Flash over Nickel  
 D28 = 0.75 μ Gold over Nickel

Country	Jurisdiction & Control List
FR	NOT LISTED

P/N : SEE TABLE

ISS	27/01/2016	Addition of GE1 version for female contacts Update of A and B dimensions	24310
DESIGNED BY	ROUILLARD	DATE	09/10/12
LATEST MODIFICATION - BY		LAURENT-N	
MOD N°			
TITLE			
CARRIER STRIP ON REEL FOR RM / RC CONTACTS			
--			
SCALE	1/2	GENERAL LINEAR TOLERANCES	± --
NPRDS / PROJECT		TRIM TRIO	
SOURIAU		WWW.SOURIAU.COM	
This document is the property of SOURIAU. It must not be reproduced or communicated without permission.			
FORMAT	A2	SOURIAU DRG N°	KRM-KRC-C01
SHEET			1 / 1

