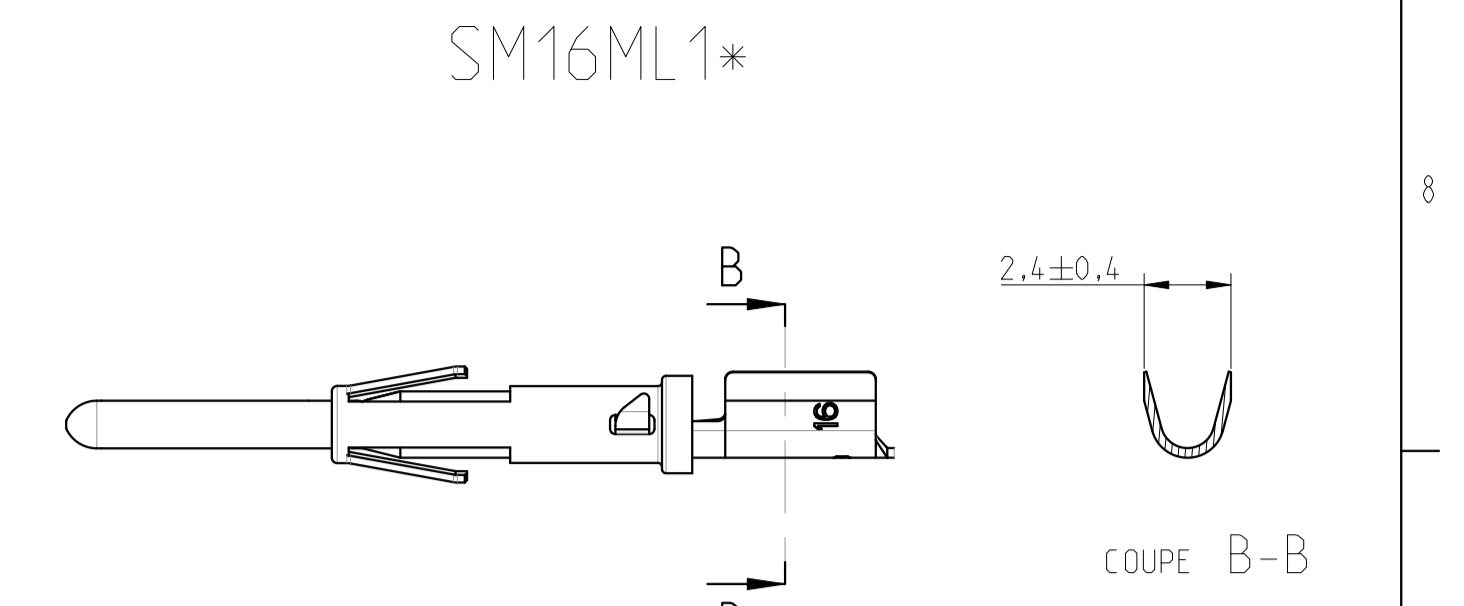
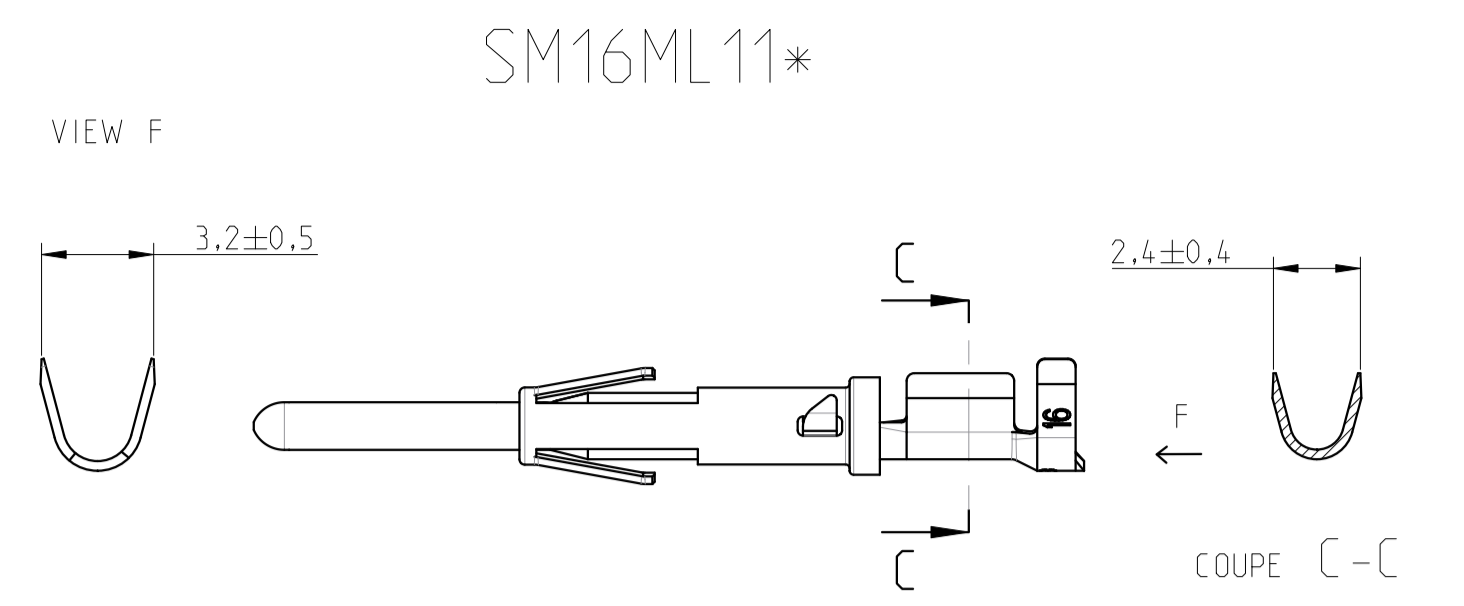
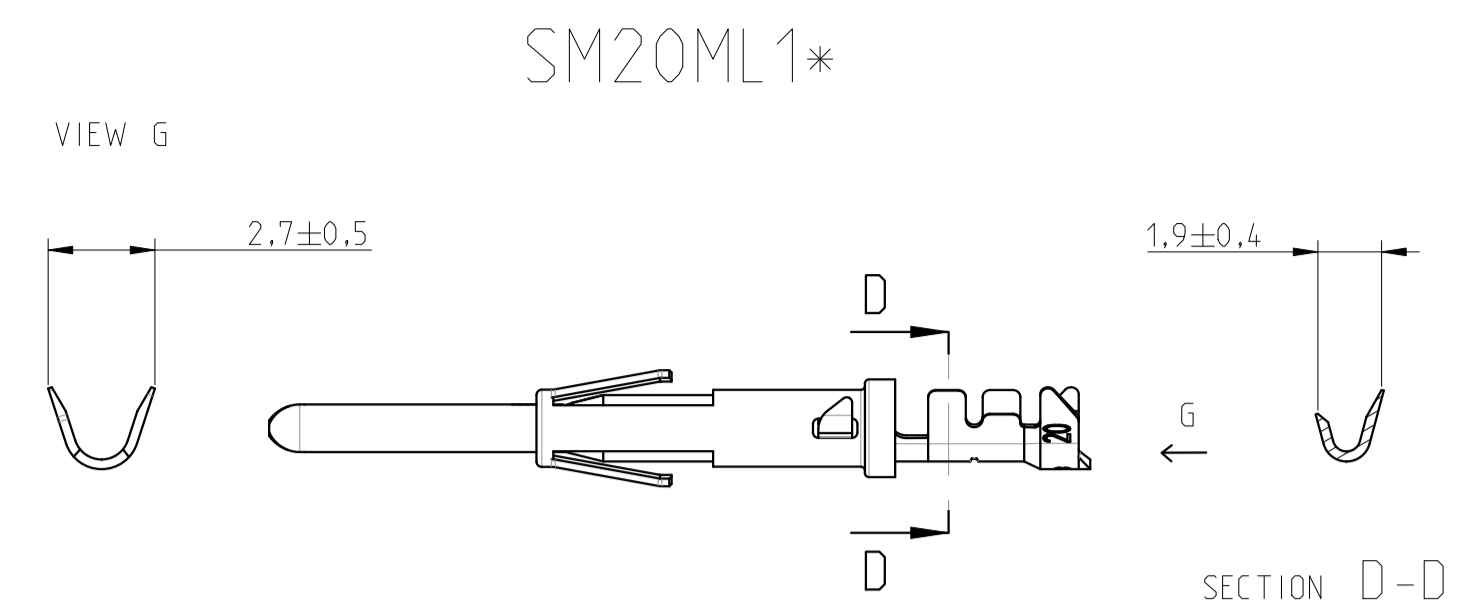
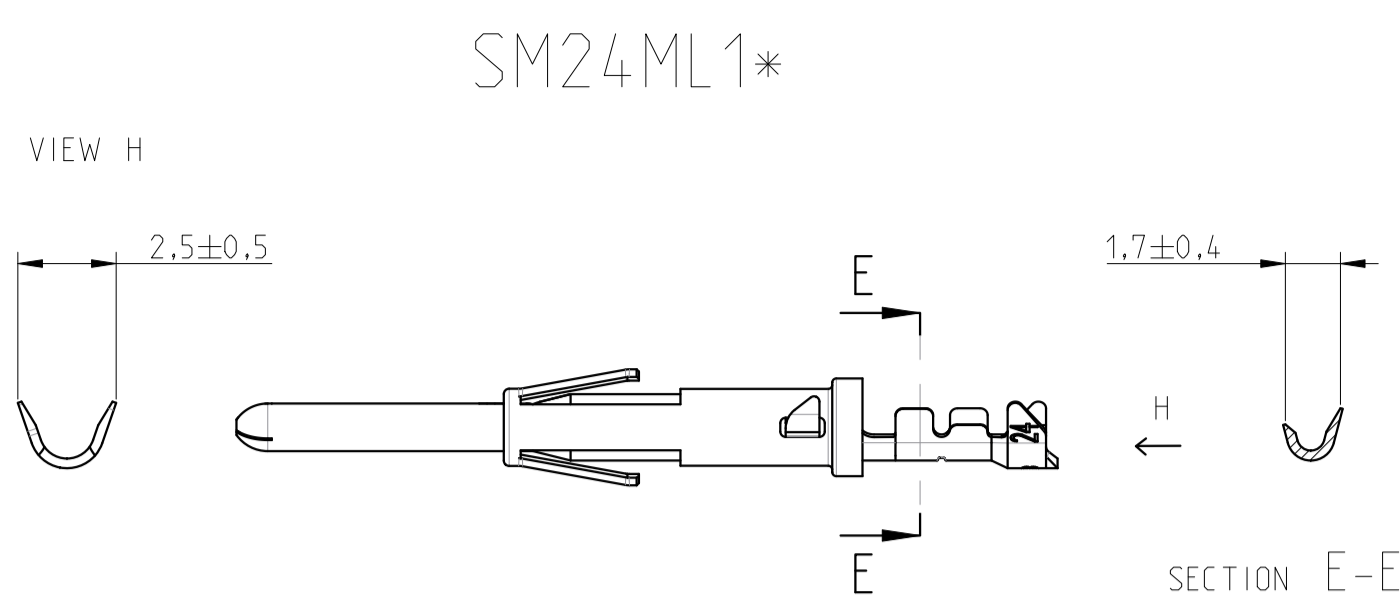
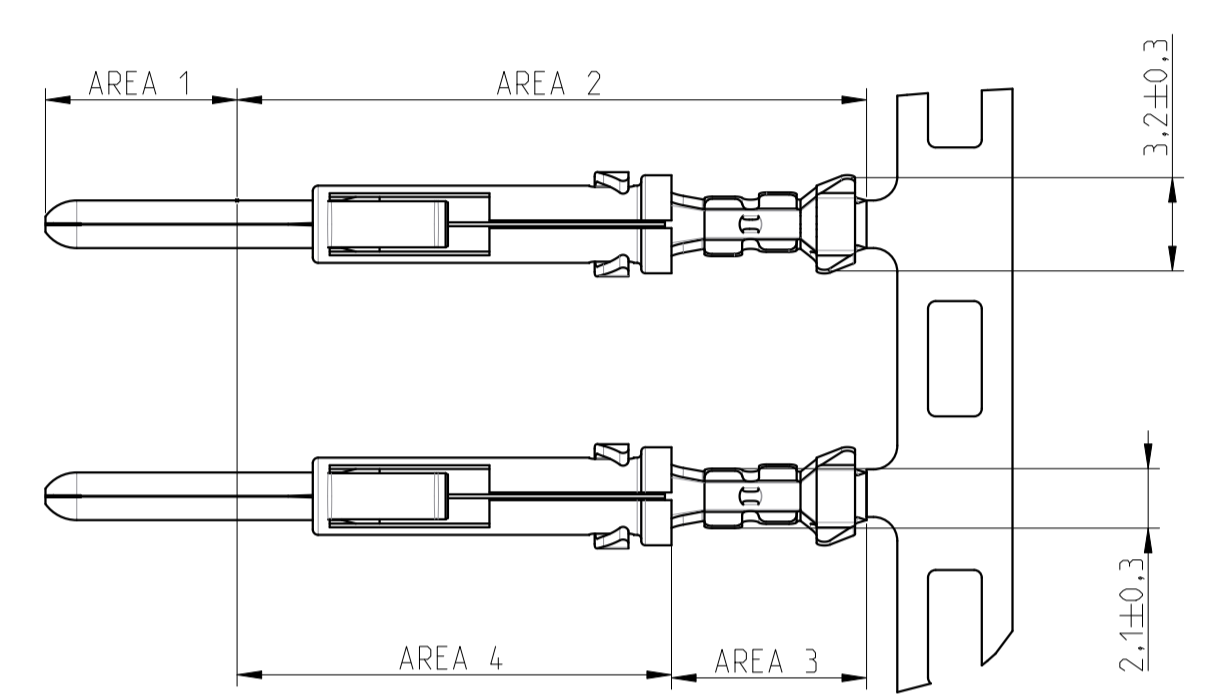


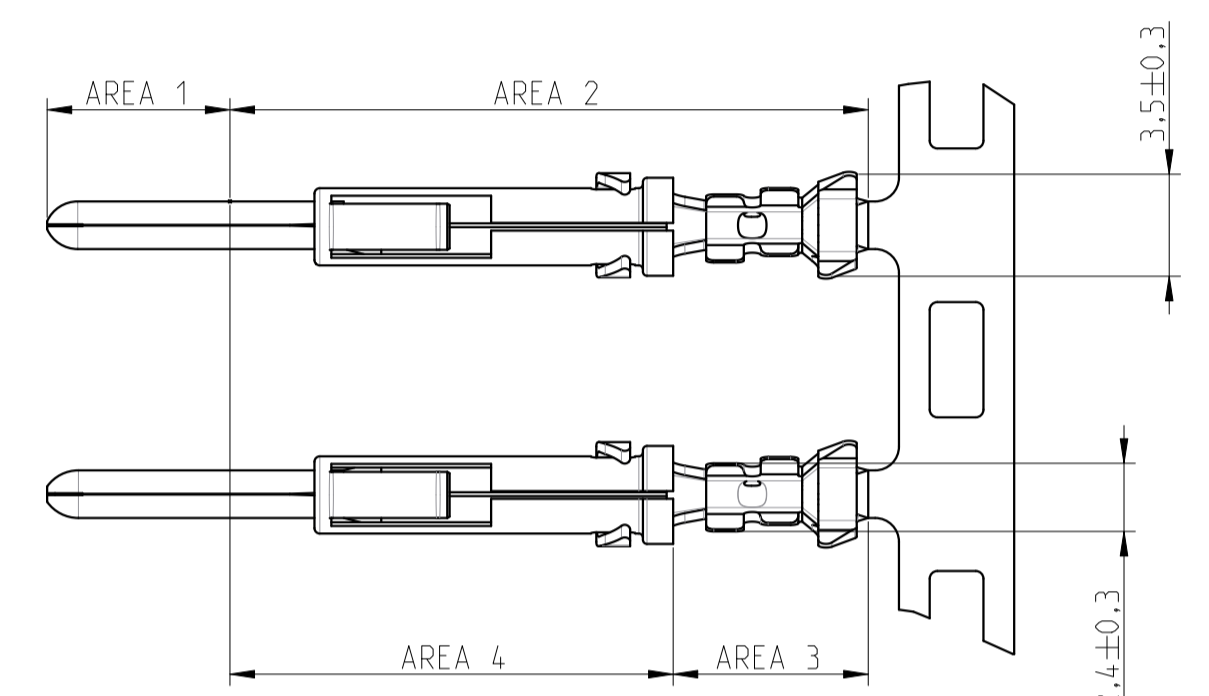
C-3, valid



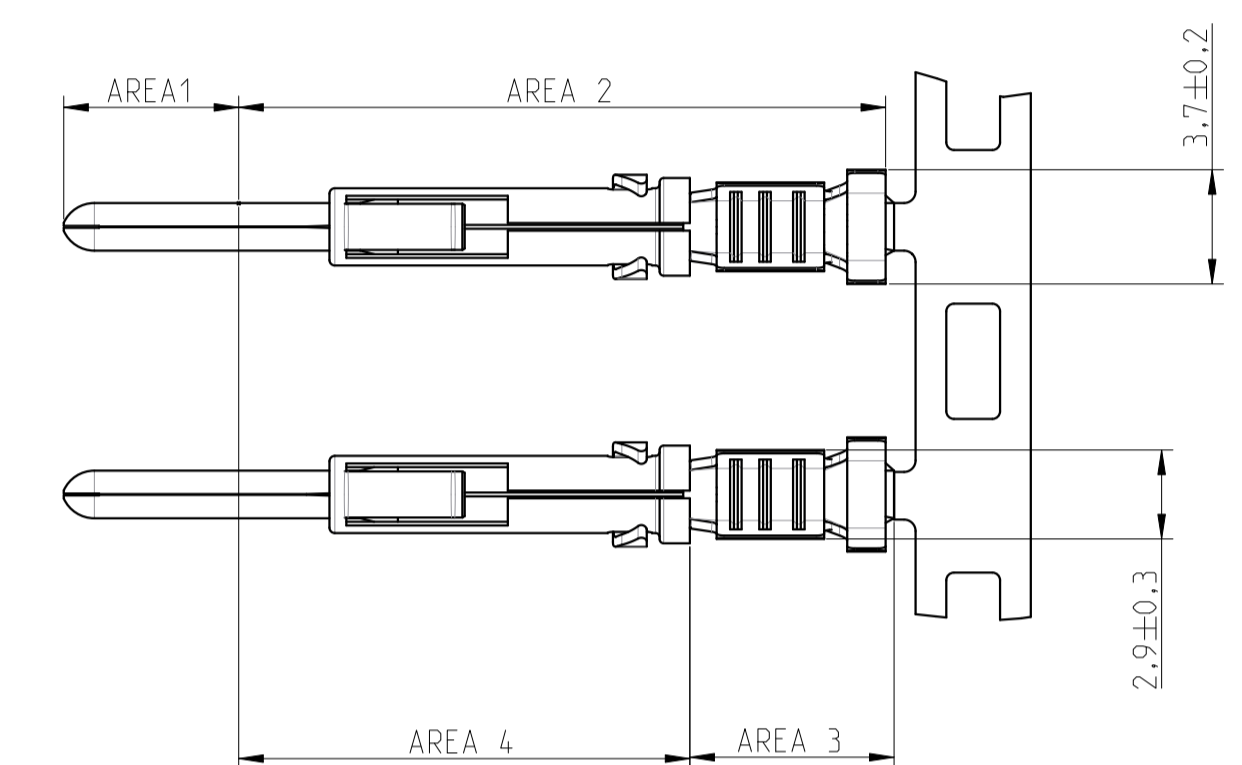
SM24M1\* / SM24M1\*REV



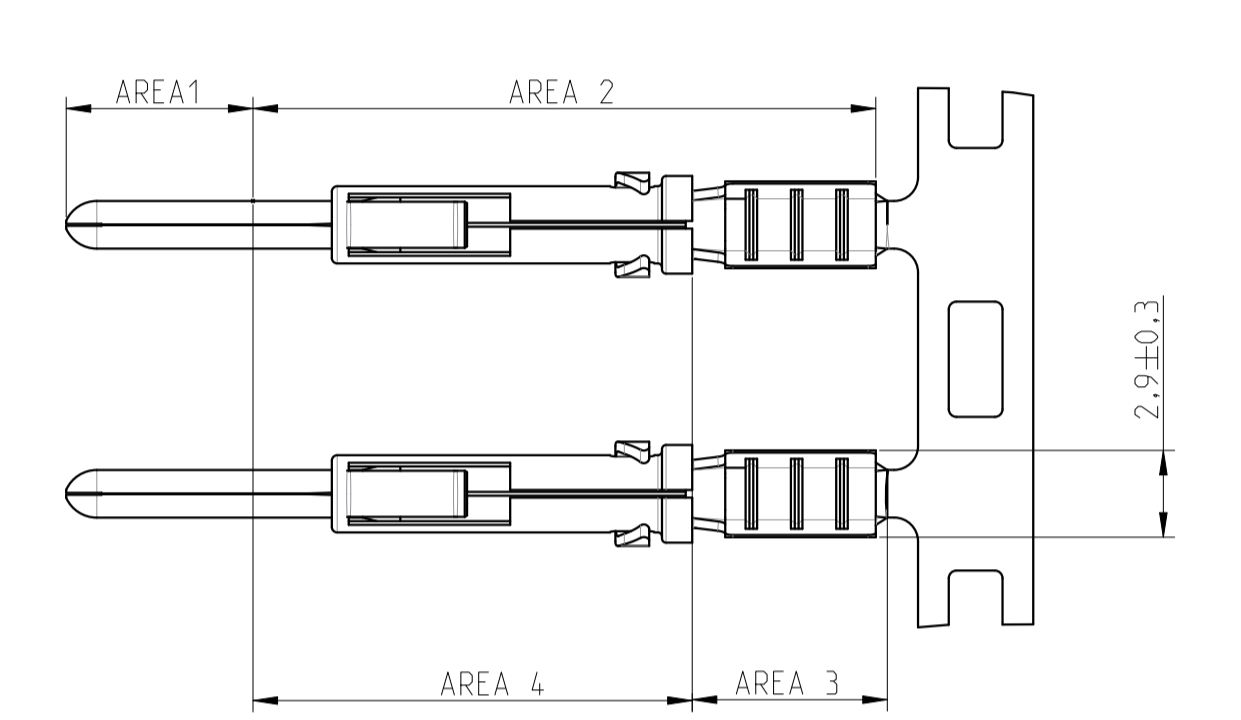
SM20M1\* / SM20M1\*REV



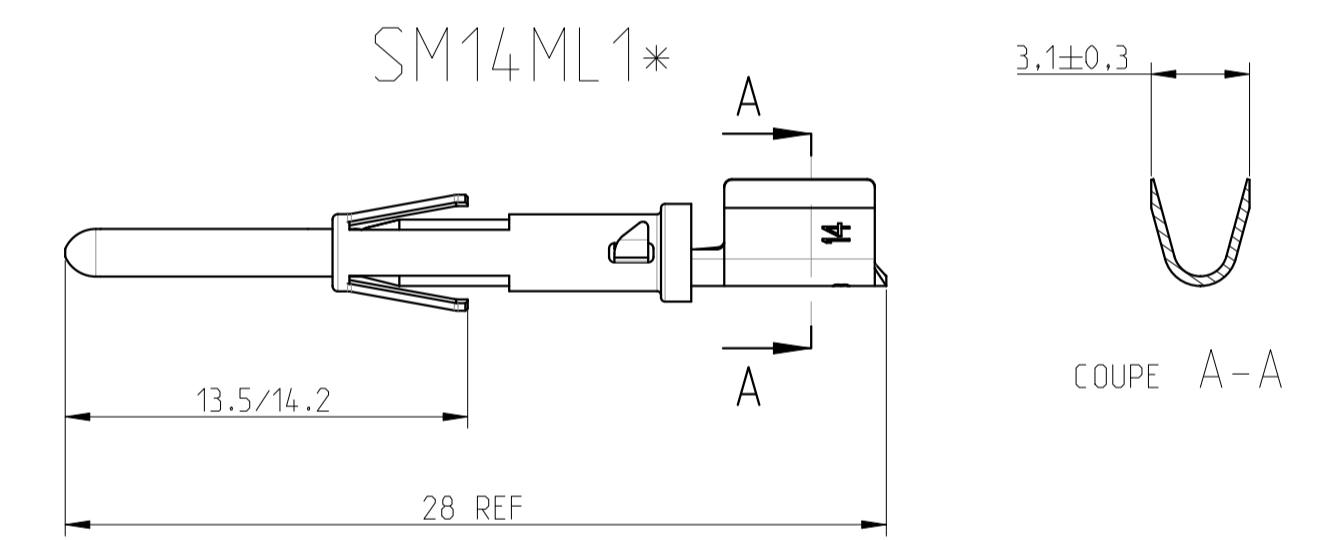
SM16M11\* / SM16M11\*REV



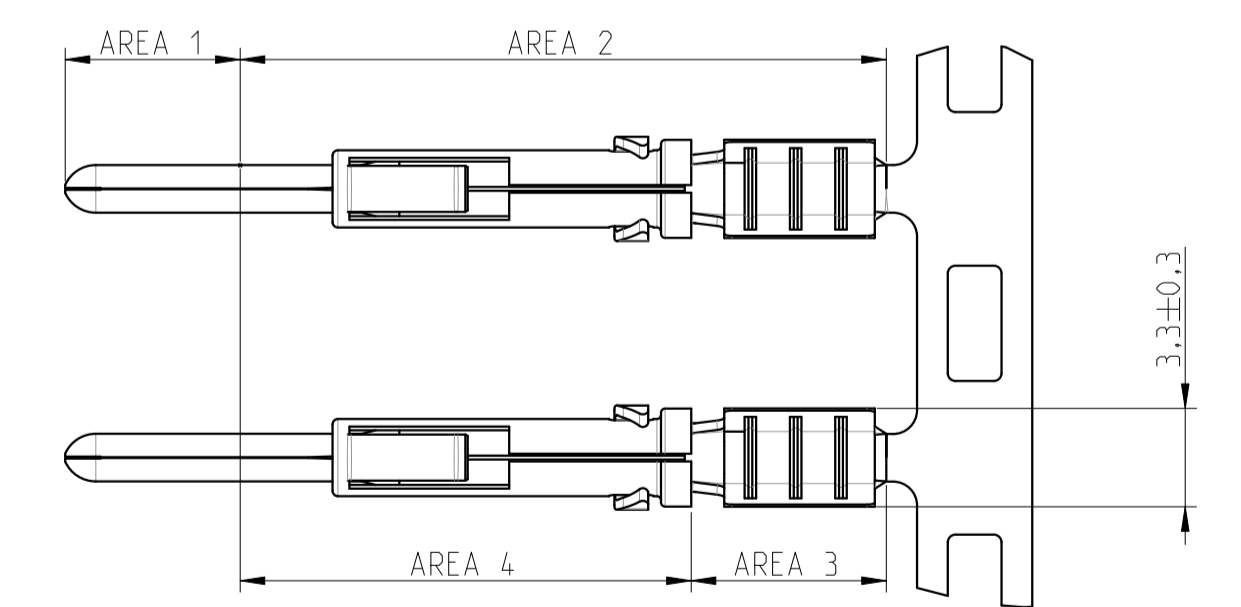
SM16M1\* / SM16M1\*REV



FEMALE CONTACT CAT. N°	Package	WIRE SIZE		WIRE INSUL. DIAM. IN MM.	WIRE STRIP LENGTH IN MM.	HAND CRIMP TOOLING		EXTRACTION TOOL
		AWG	MM²			DIE SET	HAND TOOL FOR LOOSE PIECE	
SM24ML1*	Loose contacts in plastic bag	26/24	0.12/0.25	0.90/1.60	4.0	S16SCM20	SHANDLES	RX2025GE1
SM24M1* / SM24M1*REV	Strip contacts on reel							
SM20ML1*	Loose contacts in plastic bag	22/20	0.32/0.50	1.20/2.10	4.0	S16SCM20	SHANDLES	
SM20M1* / SM20M1*REV	Strip contacts on reel							
SM16ML11*	Loose contacts in plastic bag	18/16	0.82/1.50	3.0 Max	4.65	S16SCML11	SHANDLES	
SM16M11* / SM16M11*REV	Strip contacts on reel							
SM16ML1*	Loose contacts in plastic bag	18/16	0.82/1.50	3.2 Max	6.35	S16SCML1	SHANDLES	
SM16M1* / SM16M1*REV	Strip contacts on reel							
SM14ML1*	Loose contacts in plastic bag	14	2.10/2.50	3.2 Max	6.35	S16SCML1	SHANDLES	
SM14M1* / SM14M1*REV	Strip contacts on reel							



SM14M1\* / SM14M1\*REV



P/N : SEE TABLE

- \* PLATING**
- S6 = 0.75 μ GOLD MIN. OVER NI (AREA 1)  
GOLD FLASH OVER NI (AREA 2)
  - D70 = 0.13 μ GOLD MIN. OVER NI (AREA 1)  
GOLD FLASH OVER NI (AREA 2)
  - TK6 = 0.5-2.5 μ Sn PRE-PLATED (AREA 1+2)
  - S18 = 0.75 μ GOLD MIN OVER NI (AREA 1)  
1.3 μ MINI Sn OVER NI (AREA 3)  
1.3 μ MINI NI (AREA 4)
  - S31 = GOLD FLASH OVER NI (AREA 1)  
1.3 μ MINI Sn OVER NI (AREA 3)  
1.3 μ MINI NI (AREA 4)
  - D70REV = 0.13 μ GOLD MIN. OVER NI (AREA 1)  
1.3 μ MINI Sn OVER NI (AREA 3)  
1.3 μ MINI NI (AREA 4)
- For standard winding See View
- For standard winding only See View
- For reverse winding only

**CONSTRUCTION :**

CONTACT BODY : HIGH CONDUCTIVITY COPPER ALLOY.  
OUTER SPRING : STAINLESS STEEL.

PACKING CONTACTS ON STANDARD STRIP : 3000 PCS. PER REEL. E.G. SM16M11\*  
PACKING CONTACTS ON REVERSE STRIP : 3000 PCS. PER REEL. E.G. SM16M11\*REV  
FOR WINDING DIRECTION ON REEL (STANDARD OR REVERSE) : SEE BS.C.200178.003

PACKING LOOSE PIECE CONTACTS : 100 PCS PER STD. PACKING E.G. SM16ML11\*

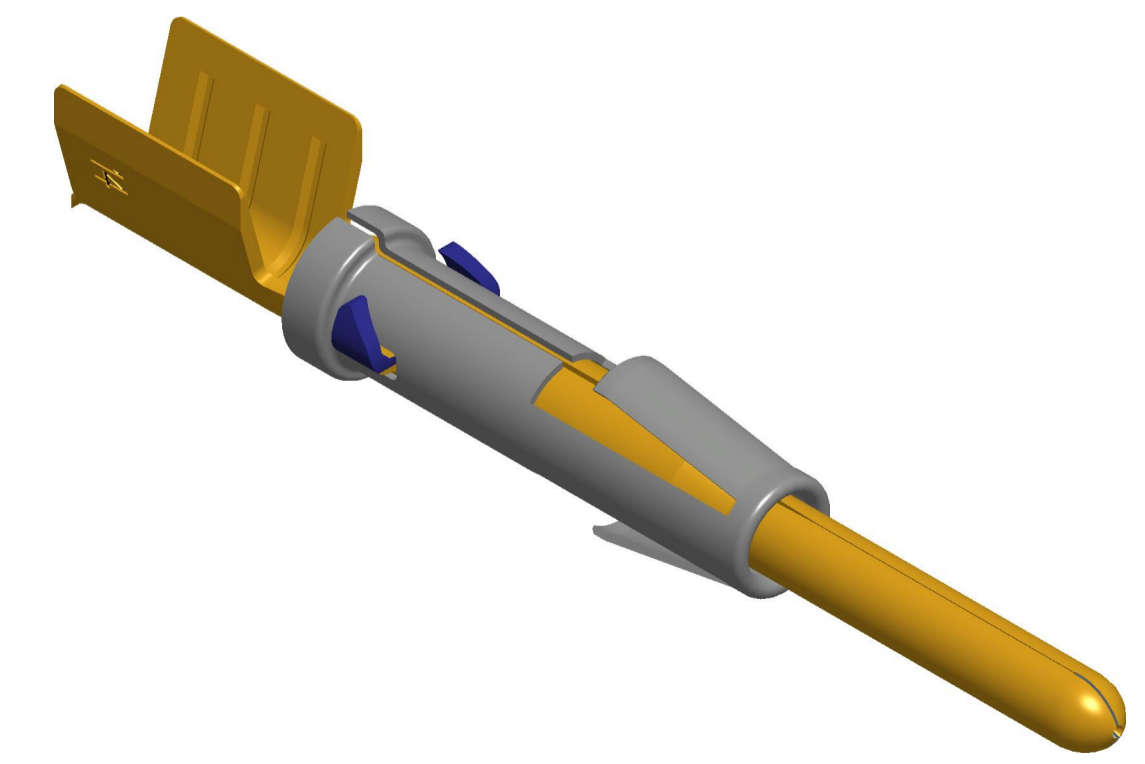
**CONNECTOR ACCOMMODATION**

THESE CONTACTS CAN BE USED IN ANY CONTACT POSITION IN ANY CONNECTOR IN THE TRIM TRIO INTERCONNECTION SYSTEM : MSM - MSG - MB RECTANGULAR CONN. , SMS QIKMATE CONN. , UTO - UTS - UTL - UTG AND UTP - MBG CIRCULAR CONN.

**PERFORMANCE CHARACTERISTICS**

CURRENT RATING : 13 A  
CONTACT RESISTANCE : <= 6m Ohm  
OPERATING VOLTAGE : 750 V RMS

CONTACT RETENTION IN BODY : 65 N MIN.  
INDIVIDUAL INSERTION FORCE : 3.5 N MAX.  
INDIVIDUAL WITHDRAWAL FORCE : 0.55 N MIN.



SOURIAU shall not be liable for any non-conformity or damage due to a use of the Products which does not comply with the Specifications issued by either of the Parties or by a third party (professional recommendation, technical notice.)

C	10/09/2020	Reference error : SMxxML -> SMxxML1	--
ISS	DATE	Latest modification - by: J.HOMBOURGER	MOD N°
Designed by:	COURTOIS L. Date:03/04/2019	CUSTOMER DRAWING	
TITLE	MALE FORMED TWO PIECE CONTACT SM--M---		
Scale	4/1	Dimensions in mm General Linear Tolerances: ± 0.1	NPRDS / PROJECT TT
SOURIAU Connection Technologies		www.souriau.com	This document is the property of SOURIAU It must not be reproduced or communicated without permission
FORMAT	A1	SOURIAU DRG N° BS-C-200178-001	SHEET 1 / 1