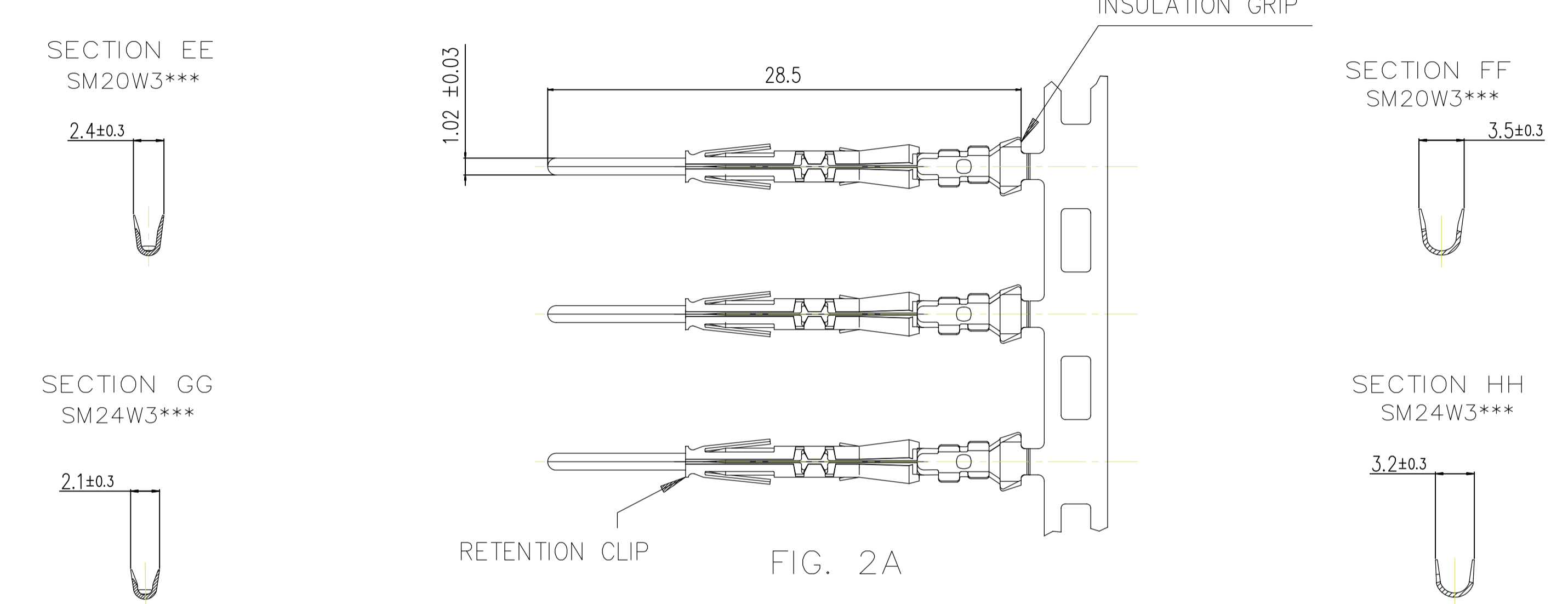
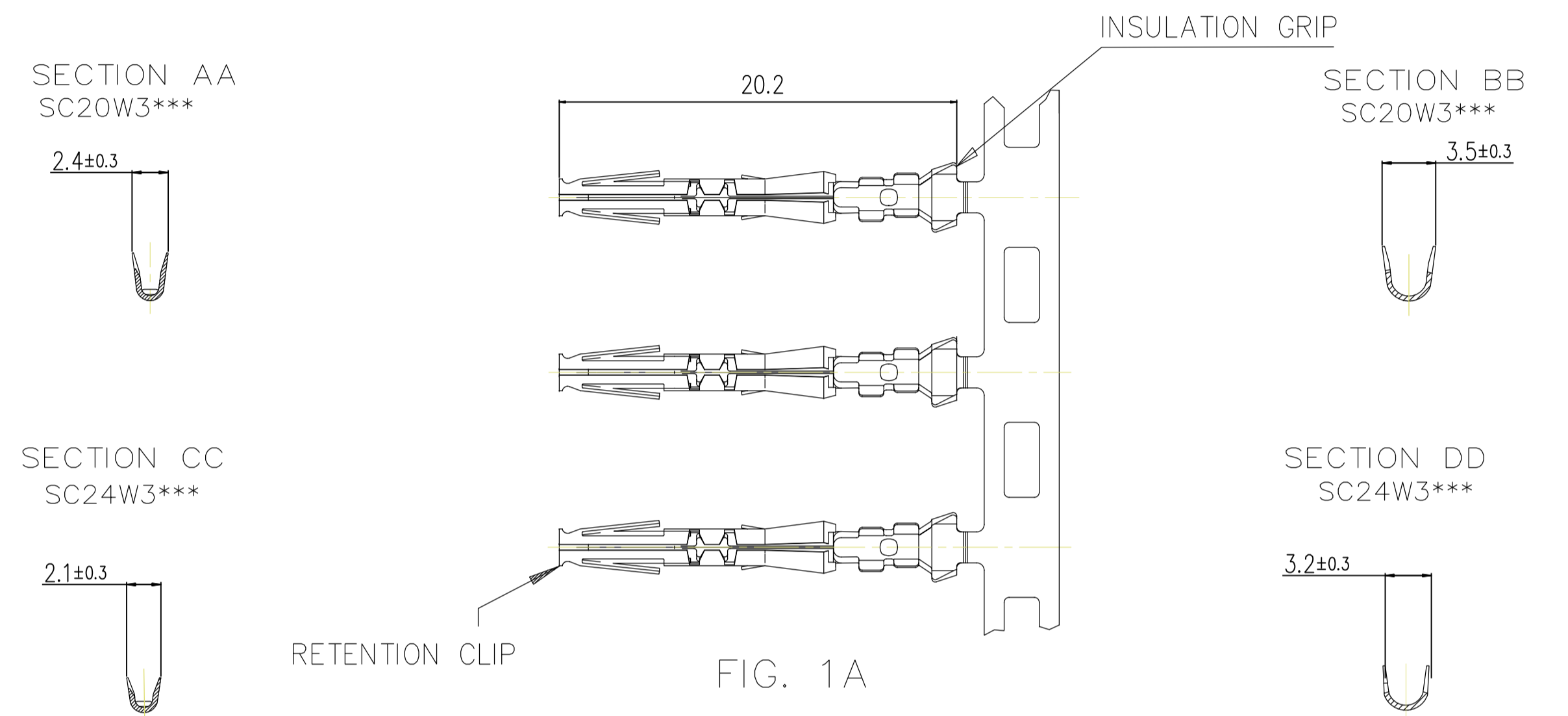


SOCKET CONTACT

PIN CONTACT



| | CONTACT CAT. N° | FIG. | PACKING | WIRE SIZE | | WIRE INSUL. DIAM. IN MM. | WIRE STRIP LENGTH IN MM. | HAND CRIMP TOOLING | | EXTRACTION TOOL |
|--------|-------------------------|------|----------------------|-----------|-----------------|--------------------------|--------------------------|--------------------|--------------------------|-----------------|
| | | | | AWG | MM ² | | | DIE SET | HANDTOOL FOR LOOSE PIECE | |
| SOCKET | SC24W3S25 / SC24W3TK6 | 1A | 3000 PER REEL | 26/24 | 0.12/0.25 | 0.90/1.60 | 4.0 | | | RX20D44 |
| | SC24WL3S25 / SC24WL3TK6 | 1B | 100 IN A PLASTIC BAG | | | | | S20SCM20 | SHANDLES | |
| | SC20W3S25 / SC20W3TK6 | 1A | 3000 PER REEL | 22/20 | 0.32/0.50 | 1.20/2.10 | 4.0 | | | |
| | SC20WL3S25 / SC20WL3TK6 | 1C | 100 IN A PLASTIC BAG | | | | | S20SCM20 | SHANDLES | |
| PIN | SM24W3S26 / SM24W3TK6 | 2A | 3000 PER REEL | 26/24 | 0.12/0.25 | 0.90/1.60 | 4.0 | | | |
| | SM24WL3S26 / SM24WL3TK6 | 2B | 100 IN A PLASTIC BAG | | | | | S20SCM20 | SHANDLES | |
| | SM20W3S26 / SM20W3TK6 | 2A | 3000 PER REEL | 22/20 | 0.32/0.50 | 1.20/2.10 | 4.0 | | | |
| | SM20WL3S26 / SM20WL3TK6 | 2C | 100 IN A PLASTIC BAG | | | | | S20SCM20 | SHANDLES | |

MALE AND FEMALE CONTACTS SIZE 20

CONSTRUCTION

CONTACT BODY : HIGH CONDUCTIVITY COPPER ALLOY.
OUTER SPRING : STAINLESS STEEL.

PACKING CONTACTS ON STRIP : 3000 PCS. PER REEL
PACKING LOOSE PIECE CONTACTS : 100 PCS PER PLASTIC BAG



CONNECTOR ACCOMMODATION

THESE CONTACTS CAN BE USED IN ANY CONTACT POSITION IN ANY CONNECTOR IN THE TRIM TRIO SEALOK INTERCONNECTION SYSTEM : UTGW CONN., UTOW CONN., UTS CONN.

PERFORMANCE CHARACTERISTICS

CURRENT RATING : 5 A
CONTACT RESISTANCE : <= 15 m Ohm
OPERATING VOLTAGE : 1500 V RMS

CONTACT RETENTION IN BODY : 50 N MIN.
INDIVIDUAL INSERTION FORCE : 5 N MAX.
INDIVIDUAL WITHDRAWAL FORCE : 0.3 N MIN.

P/N : SEE TABLE

| | | | | |
|------------------------------------|--|--|--|--------|
| ISS | DATE | Update of the dimensions for the 'U' shape Update drawing | RDULLARD Ch | MOD N° |
| Designed by: | A.Janssens | Date : 23-04-97 | CUSTOMER DRAWING | |
| TITLE | SEALOK MALE AND FEMALE FORMED CONTACT SM--W(L)3*** / SC--W(L)3*** | | | |
| Scale | 1/1 | Dimensions in mm General linear Tolerances: ± 0.2 | NPRDS / PROJECT TT | |
| SOURIAU Connection Technologies | | www.souriau.com | This document is the property of SOURIAU It must not be reproduced or communicated without permission | |
| FORMAT | A1 | SOURIAU DRG N° BS-C-202338-001 | SHEET 1 / 1 | |

| | |
|---------|-----------------------------|
| Country | Jurisdiction & Control List |
| FR | NDT LISTED |

SOURIAU shall not be liable for any non-conformity or damage due to a use of the Products which does not comply with the Specifications issued by either of the Parties or by a third party (professional recommendation, technical notice.)