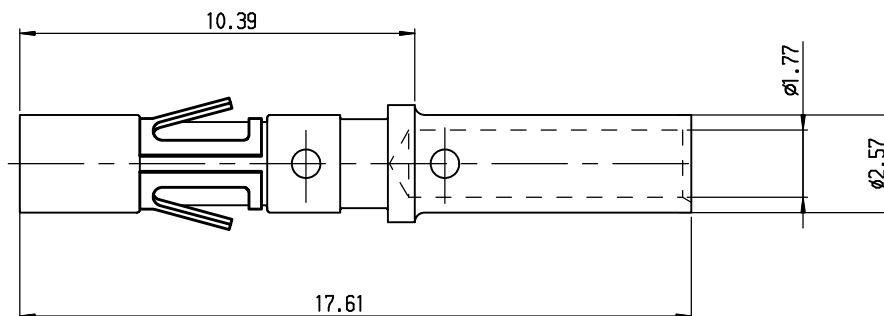


DIT IS ONZE EIGENDOM EN MAG NOCH NAGEMAKT, HERDRUKT, OVERGEMAKT, AAN  
BEREIDEN, NOCH VOOR FABRIKATIE GEBRUIKT WORDEN, ZONDER ONZE SCHRIFTELIJKE  
TOELATING. BIJ NIET GEBRUIK IS DE TERUGZENDING VERPLICHT.

THIS IS OUR EXCLUSIVE PROPERTY. IT IS NOT TO BE COPIED, REPRINTED,  
OR DISCLOSED TO A THIRD PARTY, NOR USED FOR MANUFACTURING WITHOUT  
OUR WRITTEN CONSENT, AND HAS TO BE RETURNED TO US IN CASE OF NO USAGE

REV.	DATE	DESCRIPTION	BY	C'K'D'
00	10/10/05	CREATION	R.Ch	
A	04/01/12	CHANGE CRIMP HAND TOOL	R.Ch	



### PERFORMANCE CHARACTERISTICS

- CURRENT RATING : 13 A MAX.
- CONTACT RESISTANCE :  $\leq 3 \text{ m Ohm}$
- CONTACT RETENTION IN INSERT : 110 N MIN.
- INDIVIDUAL INSERTION FORCE : 3.5 N MAX.
- INDIVIDUAL WITHDRAWAL FORCE : 0.55 N MIN.

### CONTACTS SUITABLE FOR :

- UTO
- UTG
- UTP
- MSM
- SMS QIKMATE

EXTRACTION TOOL : RX2025GE1

CRIMP TOOL : HAND TOOL: SHANDLES / HEAD: S16RCM16

WIRE SIZE : AWG 20-16


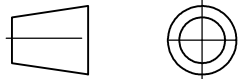
0.50 - 1.50 mm<sup>2</sup>

WIRE STRIP LENGTH = 7.1 MM

### MATERIAL

- CONTACT BODY :  
MATERIAL : BRASS  
\*PLATING : K = GOLD FLASH ALL-OVER, OVER 2  $\mu$  NICKEL MIN. ALL-OVER
- CONTACT INNER SPRING :  
MATERIAL : BERYLLIUM COPPER  
\*PLATING : K = 0.4  $\mu$  MIN. GOLD ALL-OVER, OVER 2  $\mu$  NICKEL MIN. ALL-OVER
- RETAINING SPRING :  
MATERIAL : BERYLLIUM COPPER - UNPLATED

GEN. ST.	01	02	03	04	05	06	07	08	0D	50	60	70	80	90																	
INT. ST.	10	11	12	13	14	18	20	31	32	33	34	38	39	40	42	43	44	45	46	48	56	70	72	73	75	76	81	82	83	84	88

1DEC $\pm 0,2$ 1DEC 2DEC $\pm 0,1$ 2DEC ANGLES $\pm 1'$ HOEKEN	<b>APPR.</b>	<b>DATE</b>	<b>SIGN.</b>	SHORT FEMALE CRIMP CONTACT-AWG16											
	DRAFT	10-10-05	ROUILLARD Ch	<b>CAT.N°.</b> RC16M23GE7K											
WE RESERVE THE RIGHT TO CHANGE DIMENSIONS OR REQUIREMENTS WITHOUT PRIOR NOTICE.	PROD. MGR.			 <b>SOURIAU</b> Connection Technology	SOURIAU										SCALE
	PR.ENG.MGR.				Route Nationale 23										
ALL DIMENSIONS IN MM	PR.MGT.MGR.			72470 CHAMPAGNE											
	<b>REFERENCES</b>			<b>BS-A-202060003</b>											
ALLE AFMETINGEN IN MM				DRAWING NR. CUSTOMER DRAWING											