

ELECTRICAL:

EMI SHIELDING : SHIELDED FOR THE RANGE 55dB UP TO 100MHZ

INSULATION RESISTANCE : >500MΩ PER ANSI-EIA-364-D METHOD 21

MAX. CURRENT RATING : SEE INSULATOR DRAWING

CONNECTOR TESTING VOLTAGE : SEE INSULATOR DRAWING

CONNECTOR WORKING VOLTAGE : SEE INSULATOR DRAWING

ENVIRONMENTAL:

ENDURANCE: 1000 CYCLES AS PER MIL-STD 1344A, METHOD 2016.1

SHOCK: 50 g , DURATION 6 ms; AS PER MIL-STD 1344A, METHOD 2004.1

VIBRATIONS: 10 TO 2000Hz g = 15g, AS PER MIL-STD 1344A, METHOD 2005.1

PROTECTION INDEX: IP 67 AS PER CEI 529

ROHS COMPLIANT

SALT MIST : 48Hr PER SAE AS 1344 METHOD 1001.1 CEI 529

OPERATING TEMPERATURE: -40°C TO +80°C (-40°F TO +176°F)

MASS (g)	VOLUME (mm ³)
16.8	3181

NOTES:

MATERIAL:

OUTER SHELL & PANEL NUT : } BRASS

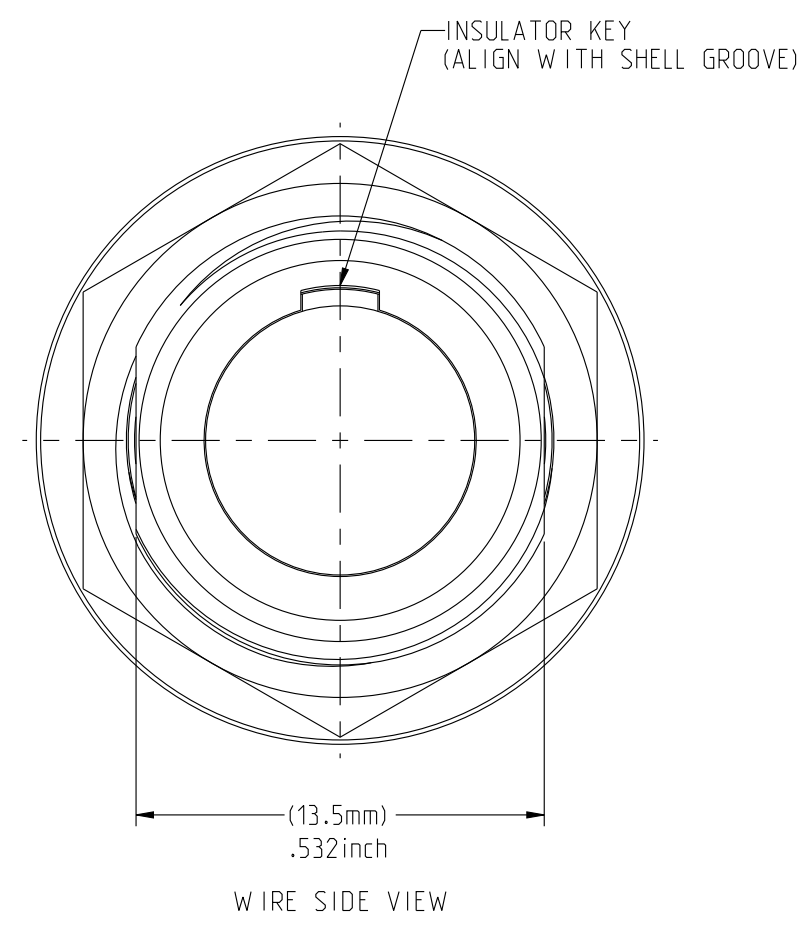
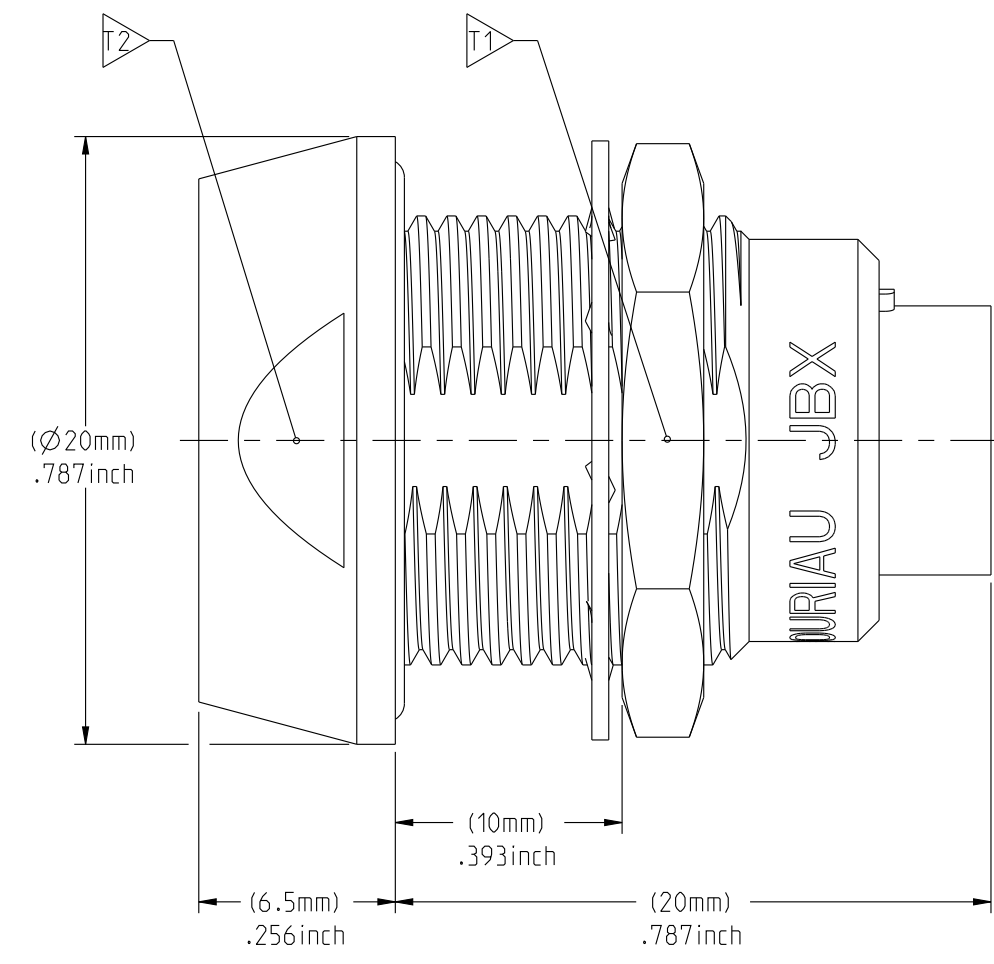
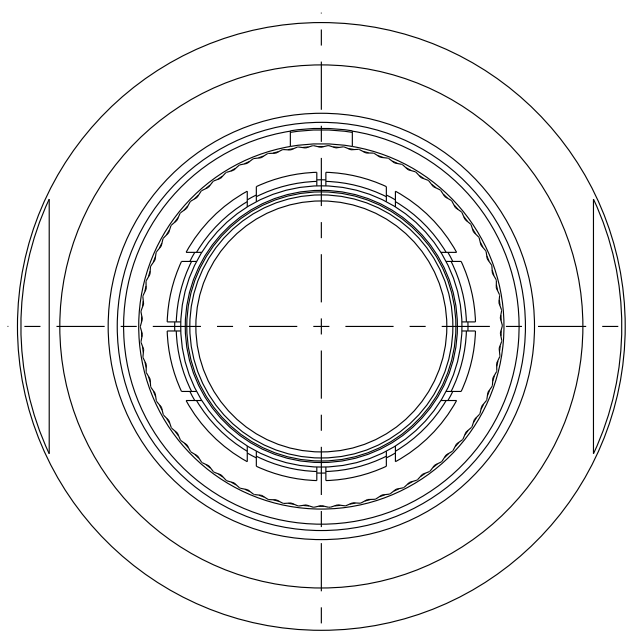
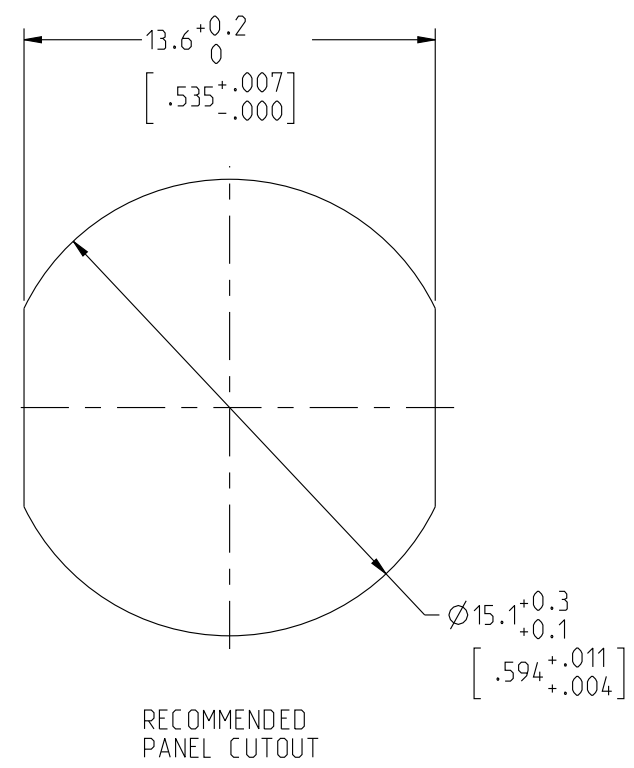
SHIELD RING & NUT: }

FINISH:

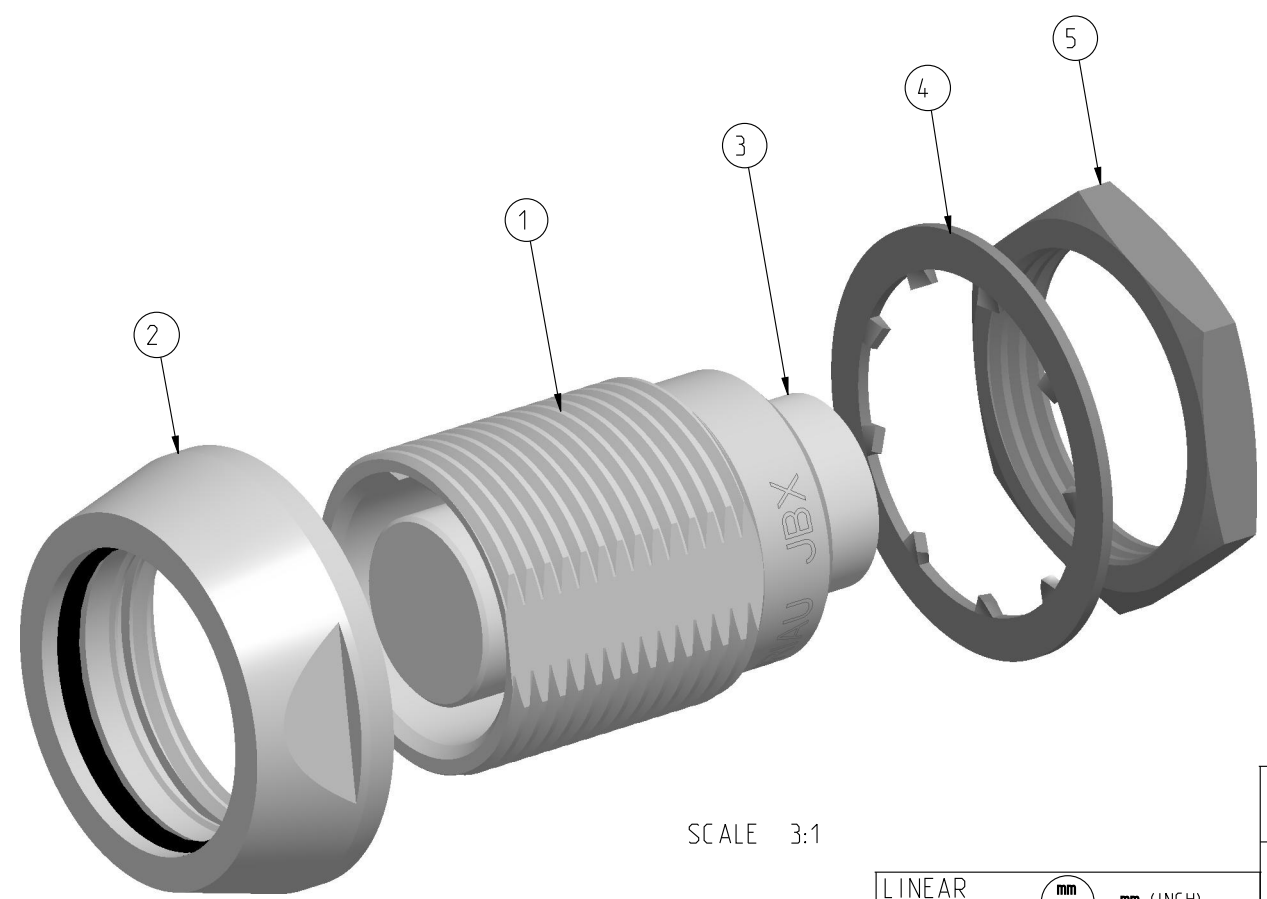
OUTER SHELL: CHROME

OTHER BRASS PARTS : NICKEL

TOOLS



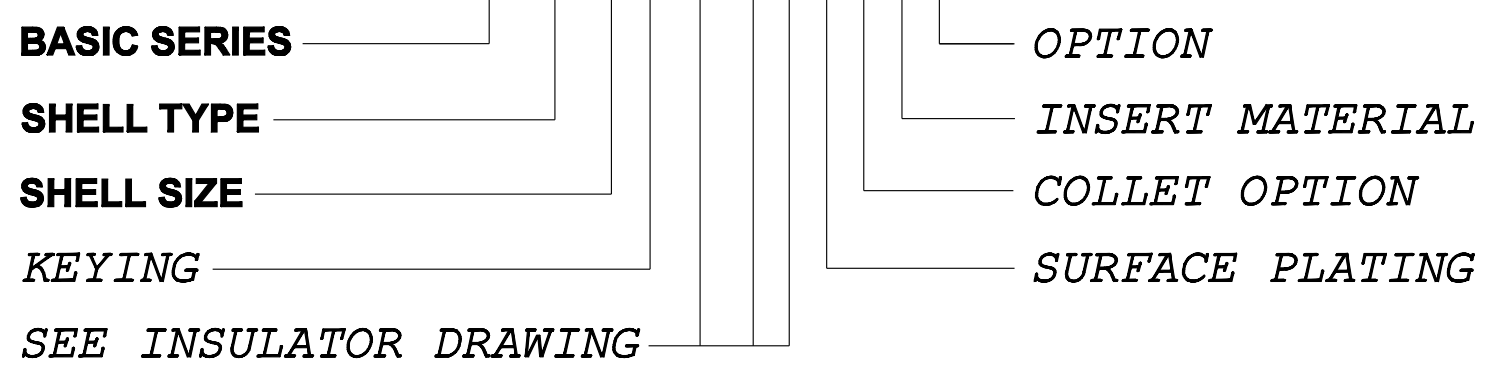
PART LIST	
ITEM NO.	DESCRIPTION
1	SHELL
2	PANEL NUT
3	INSULATOR
4	LOCK WASHER
5	HEX NUT



	TOOLS (JAW DIMENSION)	ADVISED TORQUE IN Nm
T1	17	1.7
T2	18	1.7

CATALOG NUMBER DESCRIPTION

JBX EC 2 XXXXXDX -



ORIGIN	COUNTRY	JURISDICTION	CLASSIFICATION
X	FR	Not listed	N/A
	US	EAR	ECCN =EAR99

These commodities, technology or software are exported from the United States in accordance with the Export Administration Regulations. Diversion contrary to U.S. law is prohibited.

LINEAR MEASURE: $\frac{mm}{INCH}$ mm (INCH)	
THIRD ANGLE PROJECTION	
TOLERANCES UNLESS OTHERWISE SPECIFIED	
No. OF PLACES	mm [INCH]
WHOLE No.	±0.5 [±.02]
ONE PLACE	±0.2 [±.008]
TWO PLACES	±0.1 [±.004]
ANGLES ±1°	

DRAWING TITLE
JBX, SIZE 2, SEALED DOUBLE NUT PANEL RECEPTACLE

CAT NO. **JBXEC2**

CAGE NO: 09922 SIZE: C

CUSTOMER

INTERPRET THIS DRAWING IN ACCORDANCE WITH ASME Y14.5M - 1994.

SOURIAU
www.souriau.com

APPROVAL

DRAWN: SKV	01-27-15
CHKD: EV	01-27-15
DSGN: EV	01-27-15
MFG: DH	01-27-15
QC: BB	01-27-15
DRAWING SCALE: 4:1	
DRAWING NO. JBXEC2C	REV A

1 OF 1

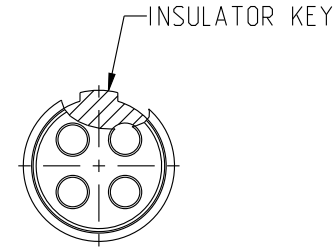
THIS DRAWING IS A CONTROLLED DOCUMENT FOR SOURIAU USA, INC. IT IS SUBJECT TO CHANGE WITHOUT NOTIFICATION. CONTACT THE DOCUMENT CONTROL CENTER FOR THE LATEST REVISION.

THE INFORMATION CONTAINED IN THIS DRAWING IS CONFIDENTIAL AND MAY NOT BE DISCLOSED WITHOUT WRITTEN CONSENT FROM SOURIAU USA, INC.

DWG. NO.
JBX2INSFPC

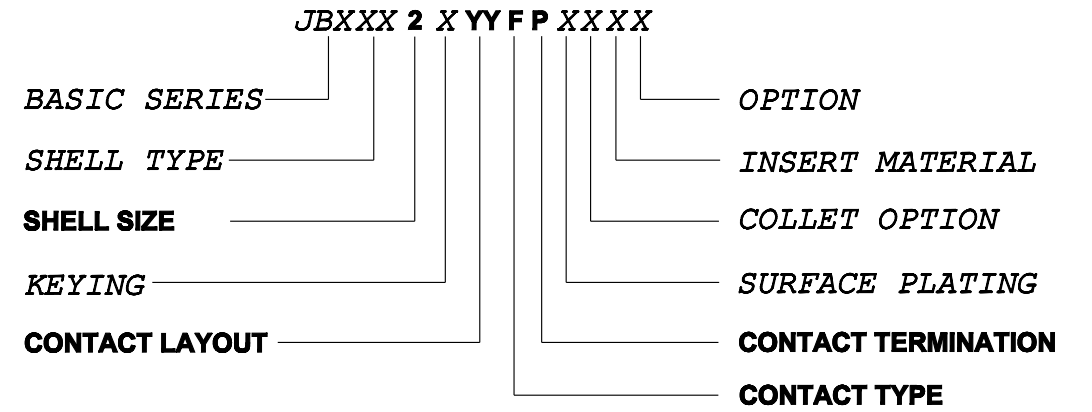
FEMALE INSULATOR, PCB CONTACT

CONTACT LAYOUT	04	05	
FRONT SIDE VIEW			
REAR SIDE VIEW			
CONTACT			
ISO VIEW			
CONTACT	ØC	1.3	1.3
	ØF	0.7	0.7
	MAX. AWG	-	-
	MAX. CURRENT RATING (A)	15	15
	CONTACT RESISTANCE (mΩ)	3	3
INSULATOR	NUMBER OF CAVITY	4	5
	MAX. CURRENT RATING	15	14
	TEST VOLTAGE (Vrms)	2400	1900
	WORKING VOLTAGE (Vdc/Vrms)	1000/700	900/630



CONTACT TYPE : F (FEMALE)
CONTACT TERMINATION : P (PCB)
MATERIAL :
 CONTACT: CUPRO-NICKEL
 INSULATOR: PEEK
FINISH :
 CONTACTS : GOLD

CATALOG NUMBER DESCRIPTION



B	REVISED PER ECN 12286	RSK 06-10-15	EV 06-10-15
A	RELEASED PER ECN 12264	TJS 03-10-15	EV 03-10-15
REV	DESCRIPTION	BY DATE	CHKD DATE

DRAWING TITLE
JBX, SIZE 2, FEMALE INSULATOR, PCB CONTACT

CAT NO. **JBX2INSFP**

CAGE NO: 09922 SIZE: B

CUSTOMER

SOURIAU

WWW.SOURIAU.COM

INTERPRET THIS DRAWING IN ACCORDANCE WITH ASME Y14.5M - 1994.

APPROVAL

DRAWN:	TJS	02-04-15
CHKD :	EV	02-04-15
DSGN :	EV	02-04-15
MFG :	DH	02-04-15
QC :	BB	02-04-15
DRAWING SCALE:		NA
DRAWING NO.		REV
JBX2INSFPC		B
1 OF 4		

LINEAR MEASURE: $\frac{mm}{INCH}$ mm (INCH)

THIRD ANGLE PROJECTION

TOLERANCES UNLESS OTHERWISE SPECIFIED

No. OF PLACES	mm [INCH]
ONE PLACE	±3 [±.1]
TWO PLACES	±0.5 [±.02]
THREE PLACES	±0.25 [±.010]

ANGLES ±1°

ORIGIN	COUNTRY	JURISDICTION	CLASSIFICATION
X	FR	Not listed	N/A
	US	EAR	ECCN =EAR99

These commodities, technology or software are exported from the United States in accordance with the Export Administration Regulations. Diversion contrary to U.S. law is prohibited

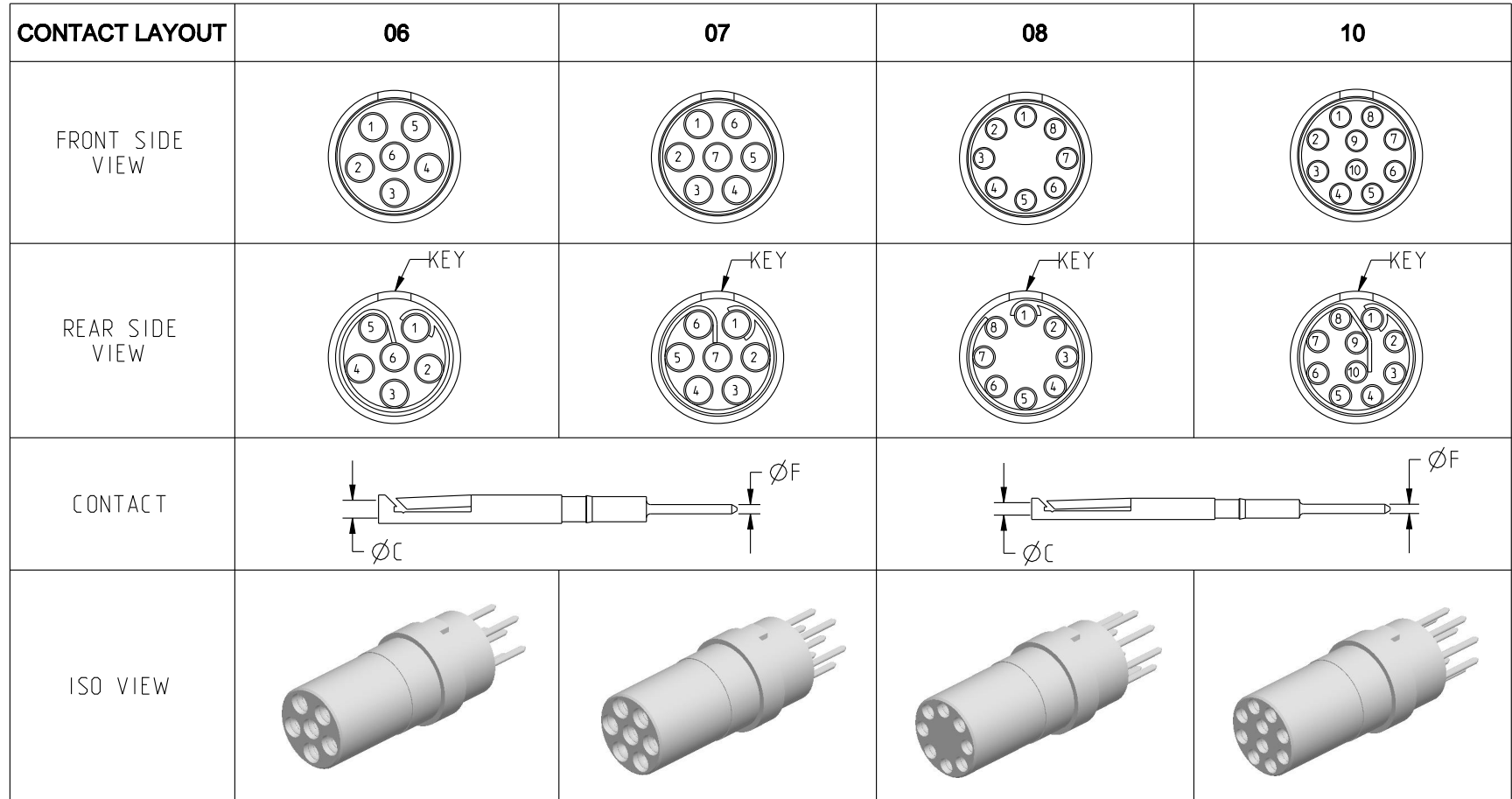
THIS DRAWING IS A CONTROLLED DOCUMENT FOR SOURIAU USA, INC. IT IS SUBJECT TO CHANGE WITHOUT NOTIFICATION. CONTACT THE DOCUMENT CONTROL CENTER FOR THE LATEST REVISION.

THE INFORMATION CONTAINED IN THIS DRAWING IS CONFIDENTIAL AND MAY NOT BE DISCLOSED WITHOUT WRITTEN CONSENT FROM SOURIAU USA, INC.

B

A

DWG. NO.
JBX2INSFPC



	CONTACT				
	ØC	1.3	1.3	0.9	0.9
ØF	0.7	0.7	0.7	0.7	
MAX. AWG	-	-	-	-	
MAX. CURRENT RATING (A)	15	15	10	10	
CONTACT RESISTANCE (mΩ)	3	3	3.5	3.5	
INSULATOR	NUMBER OF CAVITY	6	7	8	10
	MAX. CURRENT RATING	12	11	10	8
	TEST VOLTAGE (Vrms)	1900	1500	1700	1700
	WORKING VOLTAGE (Vdc/Vrms)	900/630	730/500	830/560	830/560

THIS DRAWING IS A CONTROLLED DOCUMENT FOR SOURIAU USA, INC. IT IS SUBJECT TO CHANGE WITHOUT NOTIFICATION. CONTACT THE DOCUMENT CONTROL CENTER FOR THE LATEST REVISION.

THE INFORMATION CONTAINED IN THIS DRAWING IS CONFIDENTIAL AND MAY NOT BE DISCLOSED WITHOUT WRITTEN CONSENT FROM SOURIAU USA, INC.

B

A

DRAWING TITLE
JBX, SIZE 2, FEMALE INSULATOR, PCB CONTACT

CAT NO. **JBX2INSFP**

CAGE NO: 09922 SIZE: B

CUSTOMER	SOURIAU	APPROVAL	DRAWN: TJS	02-04-15
			CHKD : EV	02-04-15
			DSGN : EV	02-04-15
			MFG : DH	02-04-15
			QC : BB	02-04-15
WWW.SOURIAU.COM		DRAWING SCALE: NA		
		DRAWING NO.	REV	
		JBX2INSFPC	B	
		2 OF 4		

LINEAR MEASURE: $\frac{mm}{INCH}$ mm (INCH)

THIRD ANGLE PROJECTION

TOLERANCES UNLESS OTHERWISE SPECIFIED

No. OF PLACES	mm [INCH]
ONE PLACE	±3 [±.1]
TWO PLACES	±0.5 [±.02]
THREE PLACES	±0.25 [±.010]

ANGLES ±1°

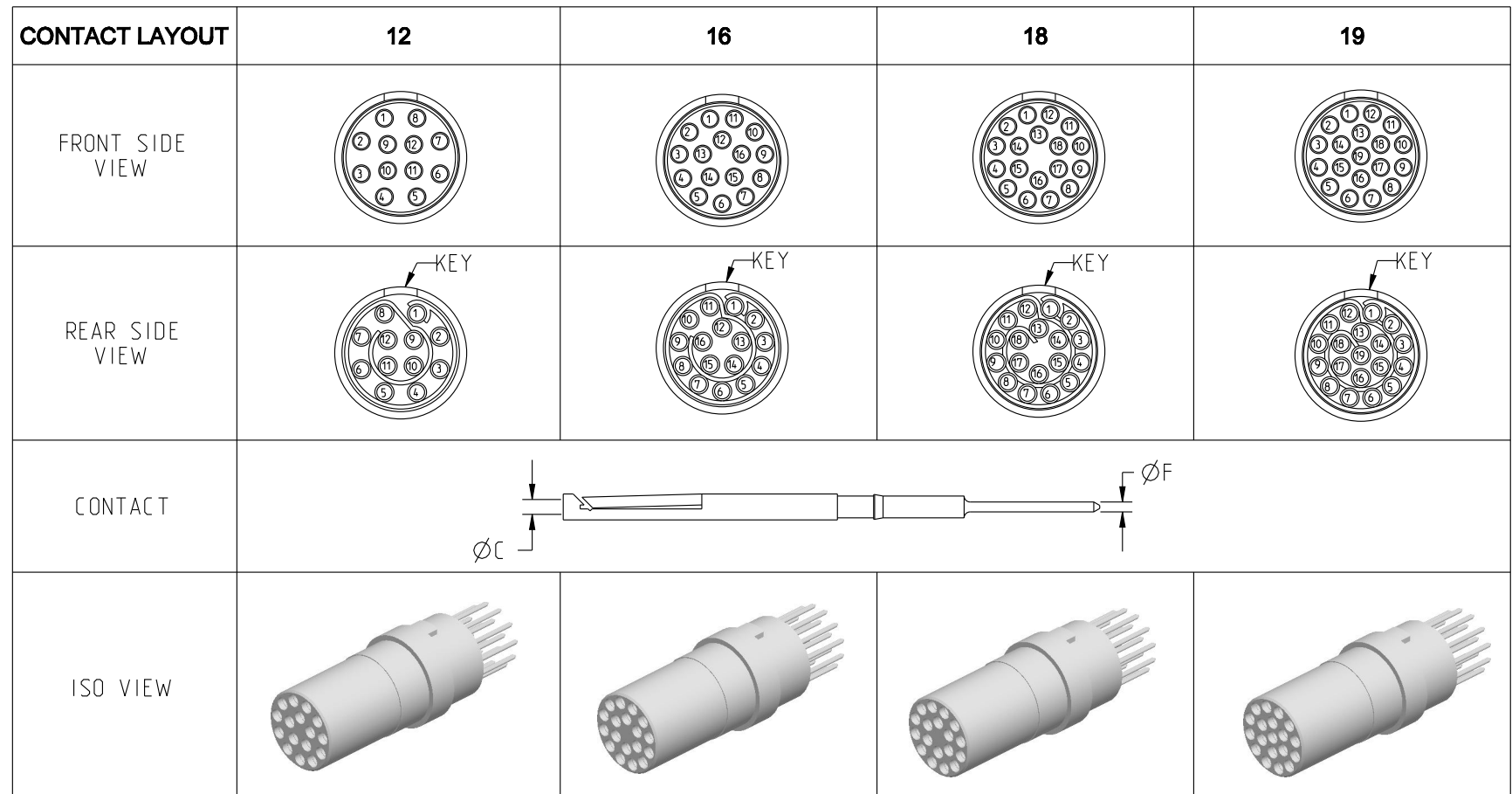
ORIGIN	COUNTRY	JURISDICTION	CLASSIFICATION
X	FR	Not listed	N/A
	US	EAR	ECCN =EAR99

These commodities, technology or software are exported from the United States in accordance with the Export Administration Regulations. Diversion contrary to U.S. law is prohibited

INTERPRET THIS DRAWING IN ACCORDANCE WITH ASME Y14.5M - 1994.

DWG. NO.
JBX2INSFPC

THIS DRAWING IS A CONTROLLED DOCUMENT FOR SOURIAU USA, INC. IT IS SUBJECT TO CHANGE WITHOUT NOTIFICATION. CONTACT THE DOCUMENT CONTROL CENTER FOR THE LATEST REVISION.



CONTACT	ØC	0.7	0.7	0.7	0.7
	ØF	0.5	0.5	0.5	0.5
MAX. AWG	-	-	-	-	
MAX. CURRENT RATING (A)	7	7	7	7	
CONTACT RESISTANCE (mΩ)	5	5	5	5	
INSULATOR	NUMBER OF CAVITY	12	16	18	19
	MAX. CURRENT RATING	7	6	5.5	5
	TEST VOLTAGE (Vrms)	1700	1500	1400	1400
	WORKING VOLTAGE (Vdc/Vrms)	830/560	730/500	660/460	660/460

THE INFORMATION CONTAINED IN THIS DRAWING IS CONFIDENTIAL AND MAY NOT BE DISCLOSED WITHOUT WRITTEN CONSENT FROM SOURIAU USA, INC.

ORIGIN	COUNTRY	JURISDICTION	CLASSIFICATION
X	FR	Not listed	N/A
	US	EAR	ECCN =EAR99

These commodities, technology or software are exported from the United States in accordance with the Export Administration Regulations. Diversion contrary to U.S. law is prohibited

LINEAR MEASURE: $\frac{mm}{INCH}$ mm (INCH)

THIRD ANGLE PROJECTION

TOLERANCES UNLESS OTHERWISE SPECIFIED

No. OF PLACES	mm [INCH]
ONE PLACE	±3 [±.1]
TWO PLACES	±0.5 [±.02]
THREE PLACES	±0.25 [±.010]

ANGLES ±1°

DRAWING TITLE
JBX, SIZE 2, FEMALE INSULATOR, PCB CONTACT

CAT NO. **JBX2INSFP**

CAGE NO: 09922 SIZE: B

APPROVAL	DRAWN: TJS	02-04-15
	CHKD : EV	02-04-15
	DSGN : EV	02-04-15
	MFG : DH	02-04-15
	QC : BB	02-04-15
DRAWING SCALE: NA		
DRAWING NO.		REV
JBX2INSFPC		B
3 OF 4		

CUSTOMER

SOURIAU

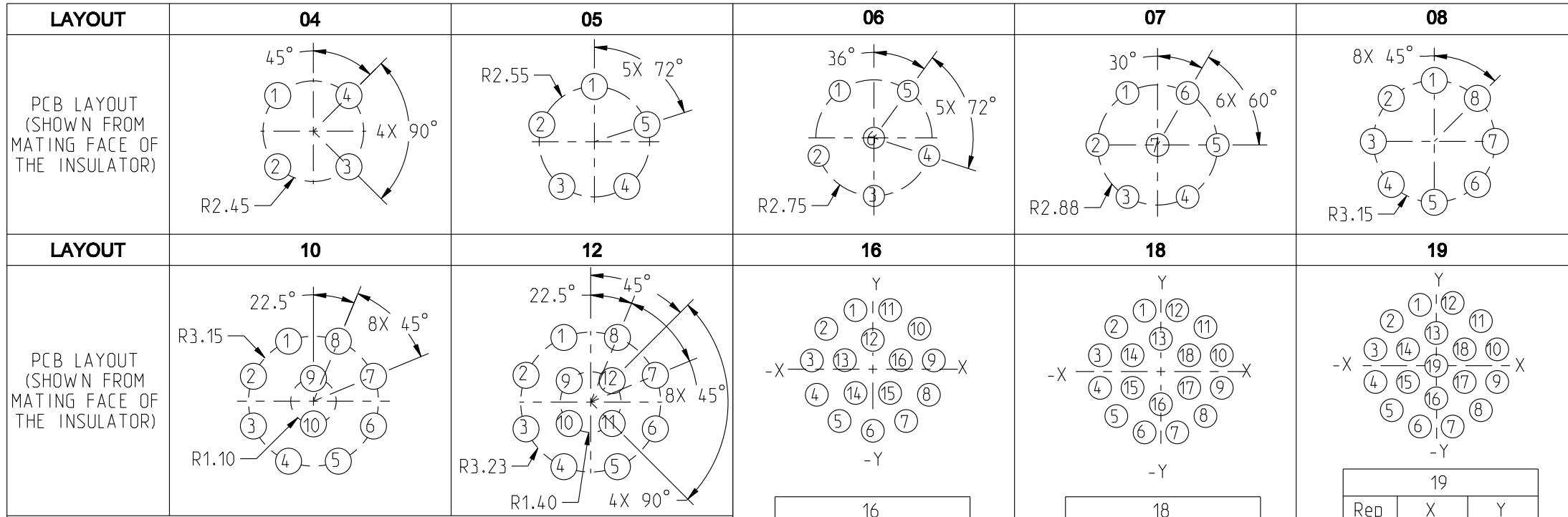
WWW.SOURIAU.COM

INTERPRET THIS DRAWING IN ACCORDANCE WITH ASME Y14.5M - 1994.

B

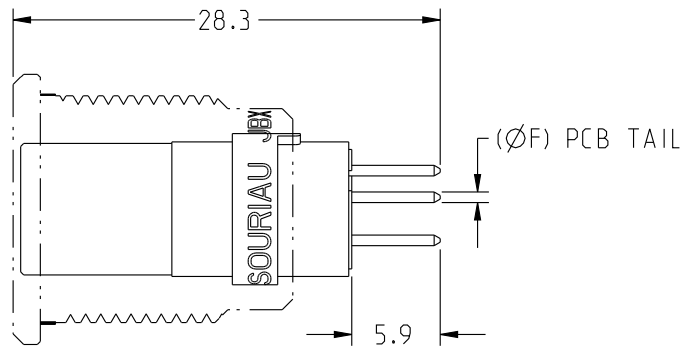
A

DWG. NO.
JBX2INSFPC



1. ALL DIMENSIONS ARE ± 0.05
2. SEE TABLE 1 FOR RECOMMENDED FINISHED PCB HOLE SIZE.

CONTACT PCB TAIL SIZE DIA	FINISHED PCB HOLE SIZE DIA
0.5	0.75
0.7	0.95



SAMPLE ASSEMBLY FOR INFORMATION

Rep	X	Y
1	-0.92	3.14
2	-2.48	2.15
3	-3.24	0.48
4	-2.98	-1.36
5	-1.77	-2.76
6	0	-3.28
7	1.77	-2.76
8	2.98	-1.36
9	3.24	0.47
10	2.48	2.15
11	0.92	3.14
12	0	1.55
13	-1.47	0.48
14	-0.91	-1.25
15	0.91	-1.25
16	1.47	0.48

Rep	X	Y
1	-0.86	3.21
2	-2.35	2.35
3	-3.21	0.86
4	-3.21	-0.86
5	-2.35	-2.35
6	-0.86	-3.21
7	0.86	-3.21
8	2.35	-2.35
9	3.21	-0.86
10	3.21	0.86
11	2.35	2.35
12	0.86	3.21
13	0	1.73
14	-1.49	0.86
15	-1.49	-0.86
16	0	-1.73
17	1.49	-0.86
18	1.49	0.86

Rep	X	Y
1	-0.86	3.21
2	-2.35	2.35
3	-3.21	0.86
4	-3.21	-0.86
5	-2.35	-2.35
6	-0.86	-3.21
7	0.86	-3.21
8	2.35	-2.35
9	3.21	-0.86
10	3.21	0.86
11	2.35	2.35
12	0.86	3.21
13	0	1.73
14	-1.49	0.86
15	-1.49	-0.86
16	0	-1.73
17	1.49	-0.86
18	1.49	0.86
19	0	0

THIS DRAWING IS A CONTROLLED DOCUMENT FOR SOURIAU USA, INC. IT IS SUBJECT TO CHANGE WITHOUT NOTIFICATION. CONTACT THE DOCUMENT CONTROL CENTER FOR THE LATEST REVISION.

THE INFORMATION CONTAINED IN THIS DRAWING IS CONFIDENTIAL AND MAY NOT BE DISCLOSED WITHOUT WRITTEN CONSENT FROM SOURIAU USA, INC.

B

A

DRAWING TITLE
JBX, SIZE 2, FEMALE INSULATOR, PCB CONTACT

CAT NO.

JBX2INSFP

CAGE NO: 09922

SIZE: B

CUSTOMER

SOURIAU

INTERPRET THIS DRAWING IN ACCORDANCE WITH ASME Y14.5M - 1994.

WWW.SOURIAU.COM

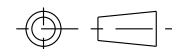
APPROVAL	DRAWN:	TJS	02-04-15
	CHKD :	EV	02-04-15
	DSGN :	EV	02-04-15
	MFG :	DH	02-04-15
	QC :	BB	02-04-15
DRAWING SCALE:		NA	
DRAWING NO.		REV	
JBX2INSFPC		B	
4 OF 4			

ORIGIN	COUNTRY	JURISDICTION	CLASSIFICATION
X	FR	Not listed	N/A
	US	EAR	ECCN =EAR99

These commodities, technology or software are exported from the United States in accordance with the Export Administration Regulations. Diversion contrary to U.S. law is prohibited.

LINEAR MEASURE: $\frac{mm}{INCH}$ mm (INCH)

THIRD ANGLE PROJECTION



TOLERANCES UNLESS OTHERWISE SPECIFIED

No. OF PLACES mm [INCH]

ONE PLACE $\pm 3 [\pm .1]$

TWO PLACES $\pm 0.5 [\pm .02]$

THREE PLACES $\pm 0.25 [\pm .010]$

ANGLES $\pm 1^\circ$