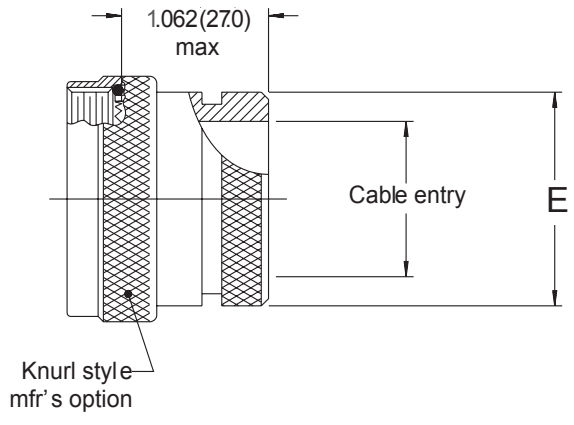
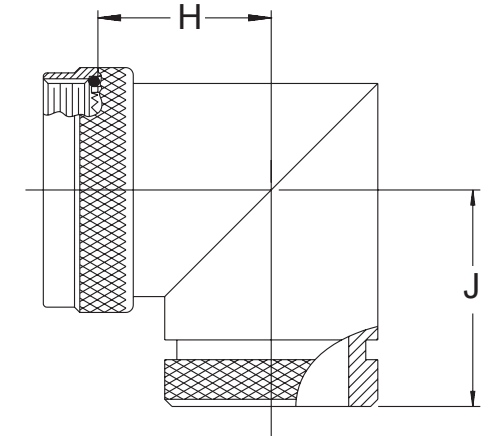
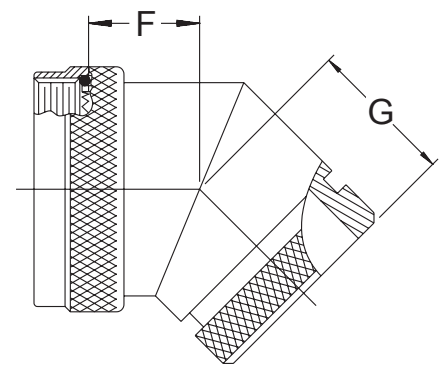


REVISIONS		
REV.	DESCRIPTION	DATE
A	06-008: Shrink boot adapter	2016

This Stamp was applied by Esterline Technologies Corporation
NOT EXPORT CONTROLLED
 THIS DOCUMENT DOES NOT CONTAIN TECHNICAL DATA OR TECHNOLOGY SUBJECT TO THE INTERNATIONAL TRAFFIC IN ARMS REGULATIONS (ITAR) OR U.S. EXPORT ADMINISTRATION REGULATIONS (EAR).
 160505
 This Stamp was applied by Esterline Technologies Corporation



FOR REFERENCE ONLY



SBU P/N **06 F5 008 S 15 CN**

PRODUCT SERIES _____

CONNECTOR DESIGNATOR (Table I) _____

BASIC PART NUMBER _____

CONFIGURATION ANGLE _____
 A = 45° R = 90° S = STRAIGHT

SHELL SIZE (Table III) _____

FINISH CODE (Table II) _____

Table III

Connector designator	Shellsize	E	F	G	H	J	Cable entry
A1,F3	F4	max dimension	max dimension	max dimension	max dimension	max dimension	min dim
08	09	0.533 (13.5)	0.612 (15.5)	0.800 (20.3)	0.727 (18.5)	0.936 (23.8)	0.250 (6.4)
10	11	0.605 (15.4)	0.675 (17.1)	0.828 (21.0)	0.831 (21.1)	0.992 (25.2)	0.355 (9.0)
12	13	0.774 (19.7)	0.698 (17.7)	0.851 (21.6)	0.886 (22.5)	1.048 (26.6)	0.491 (12.5)
14	15	0.838 (21.3)	0.723 (18.4)	0.876 (22.3)	0.946 (24.0)	1.114 (28.3)	0.565 (14.4)
16	17	0.963 (24.5)	0.748 (19.0)	0.901 (22.9)	1.008 (25.6)	1.172 (29.8)	0.690 (17.5)
18	19	1.042 (26.5)	0.767 (19.5)	0.920 (23.4)	1.052 (26.7)	1.233 (31.3)	0.769 (19.5)
20	21	1.217 (30.9)	0.793 (20.1)	0.946 (24.0)	1.115 (28.3)	1.303 (33.1)	0.894 (22.7)
22	23	1.355 (34.4)	0.818 (20.8)	0.971 (24.7)	1.177 (29.9)	1.356 (34.4)	1.019 (25.9)
24	25	1.443 (36.7)	0.844 (21.4)	0.997 (25.3)	1.240 (31.5)	1.424 (36.2)	1.134 (28.8)

Notes
 Metric dimensions are shown in parentheses for reference only.
 O-ring not supplied on connector designators A1.

Tolerance
 Unless otherwise specified:
 .X ± .060 (1.5)
 .XX ± .030 (0.8)
 .XXX ± .015 (0.4)
 Angles ± 5 degrees

Table I

Connector range	Connector designator
AS81703 Series III	A1
BACC63 CT/CU/DB/DC	F4
EN2997	A1
EN3645	F4
EN3646	A1
ESC 10 & 11	A1
MIL-C-38999 Series I & II	F3
MIL-C-38999 Series III & IV	F4
MIL-DTL-26482 Series II	A1
MIL-DTL-5015	A1
Mil -DTL-83723 series I & III	A1
Other	Please consult us

Table II

Finish	Associated code
Aluminum / Cadmium olive drab	C
Aluminum / Cadmium over Electroless Nickel	CN
Aluminum / Electroless Nickel	N
Aluminum / Black Zinc Nickel	ZF
Aluminum / Teflon Nickel	FN
Aluminum / Black Anodize	AB
Stainless steel / Passivate	P
Other	Please consult us

SUNBANK
 Shrink Boot Adapter